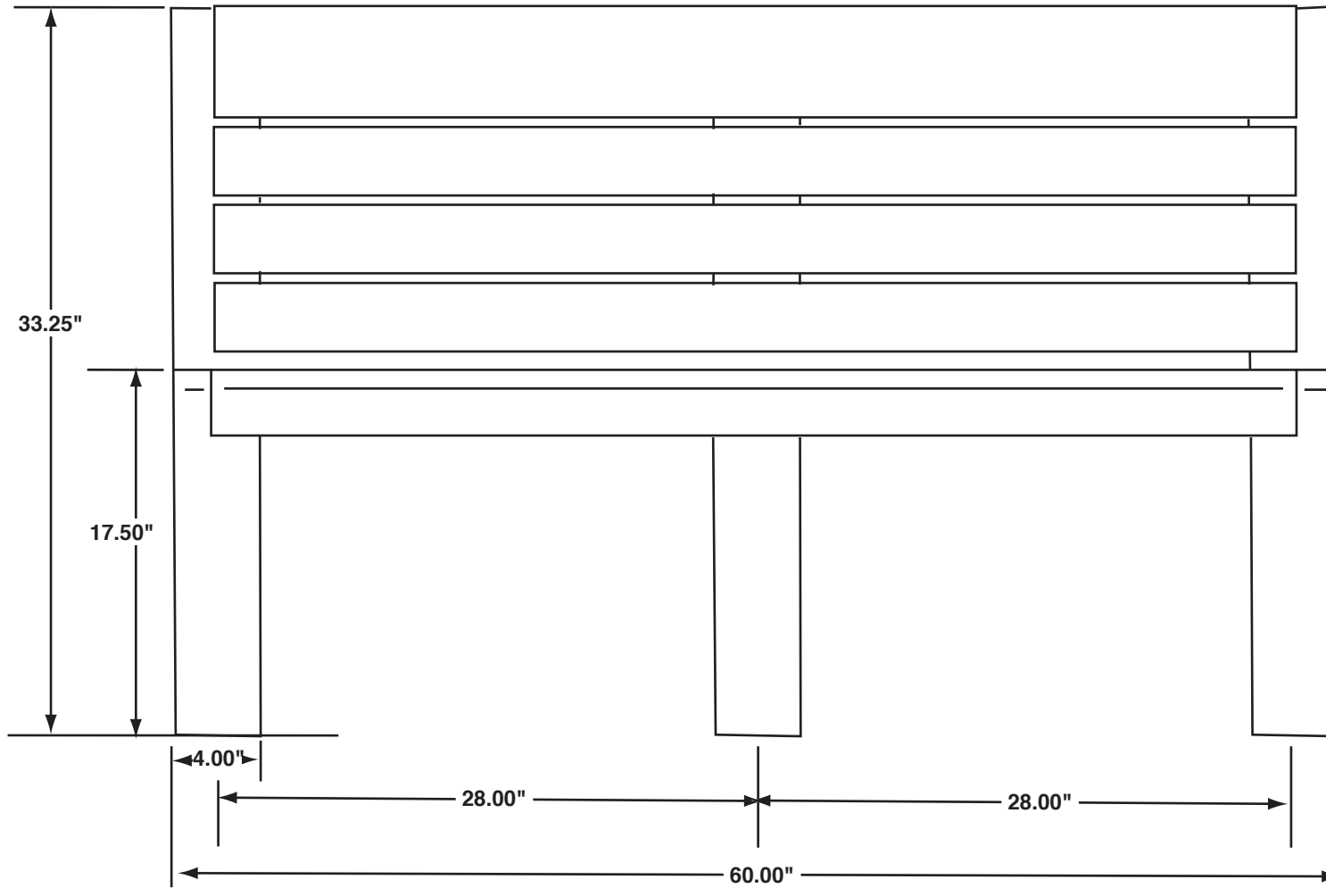


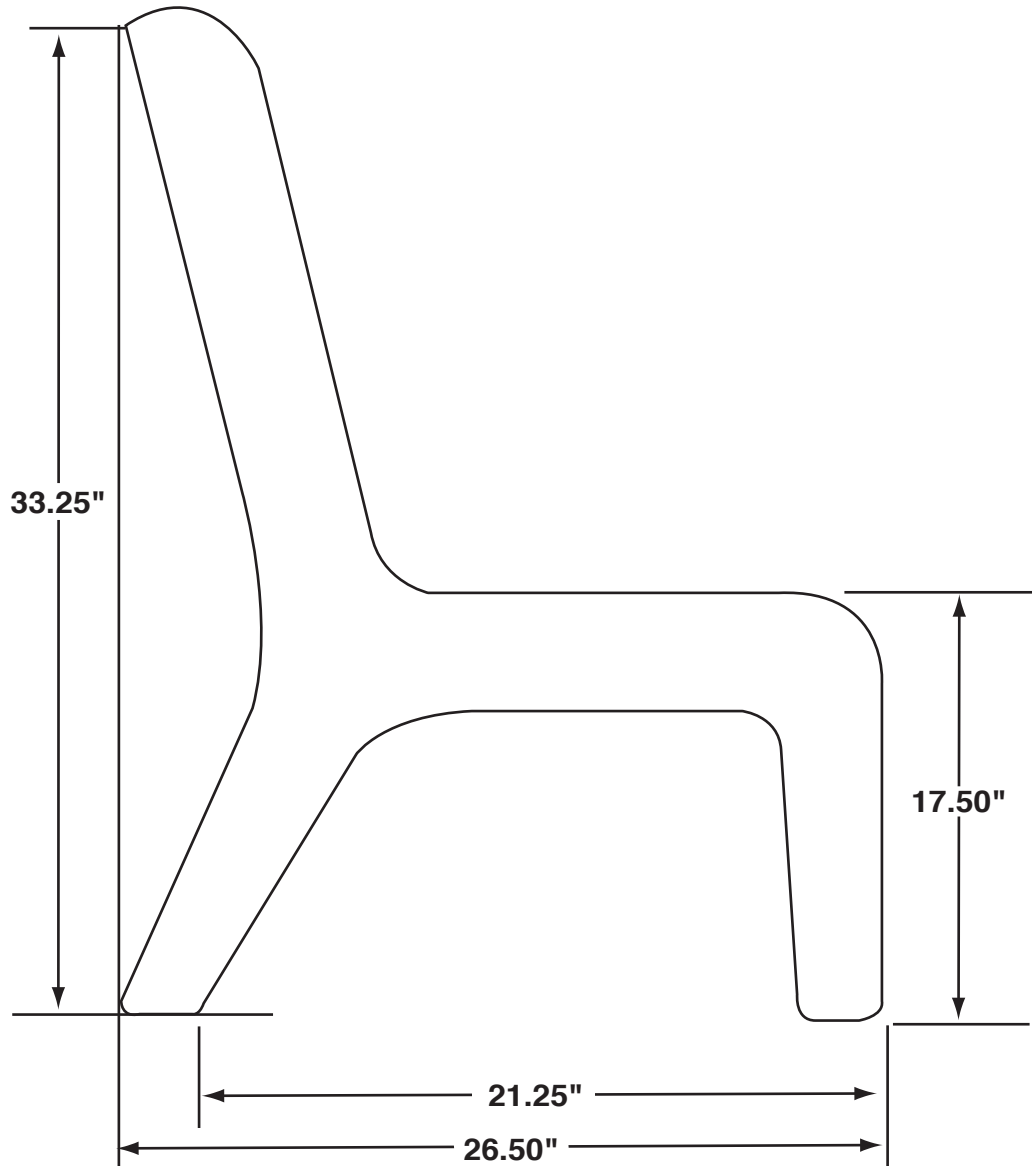


## Specifications for item 133-1005

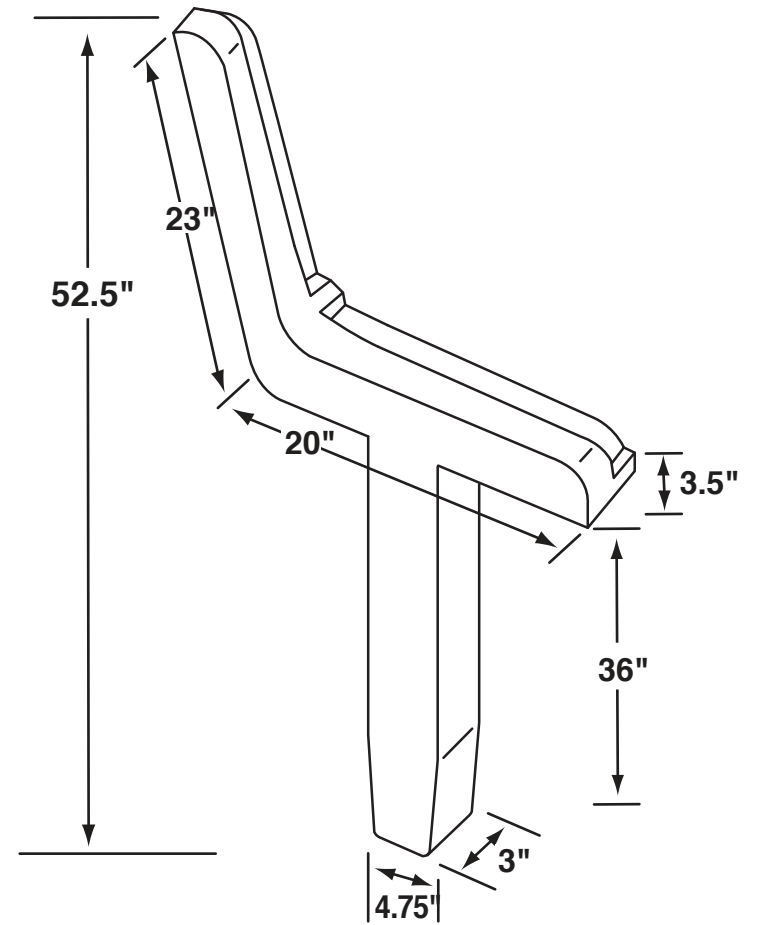


3350 NW Boca Raton Blvd., Suite B2 Boca Raton, FL, 33431  
Phone: 561.620.7878 Fax: 561.620.8668

Side View Specifications



Inground Mount Specifications



## ASSEMBLY INSTRUCTIONS

### ITEM 133-1003 SURFACE MOUNT

**STEP 1:** PLACE THE BENCH LEGS FACING UPRIGHT ON A LEVEL SURFACE, MAKING SURE THE MIDDLE LEG IS CENTERED.

**STEP 2:** PLACE A 2" X 4" PROFILE TOWARD THE BACK OF THE SEAT ON THE LEGS, MAKING SURE THE "MOLD" SEAM IS FACING DOWN. INSERT SCREWS INTO PREDRILLED HOLES IN THE BENCH LEGS.


**STEP 3:** PLACE A 2" X 4" PROFILE TOWARD THE BOTTOM OF THE BACK ON THE LEGS, MAKING SURE THE "MOLD" SEAM IS FACING THE BACK. INSERT SCREWS INTO PREDRILLED HOLES IN THE BENCH LEGS.

**STEP 4:** REPEAT WITH REMAINING 2" X 4" PROFILES.

**STEP 5:** PLACE A BOCA BOARD ONTO THE SEAT OF THE LEGS. INSERT SCREWS INTO PREDRILLED HOLES IN THE BENCH LEGS. REPEAT WITH BOCA BOARD ON THE BACK OF THE BENCH.

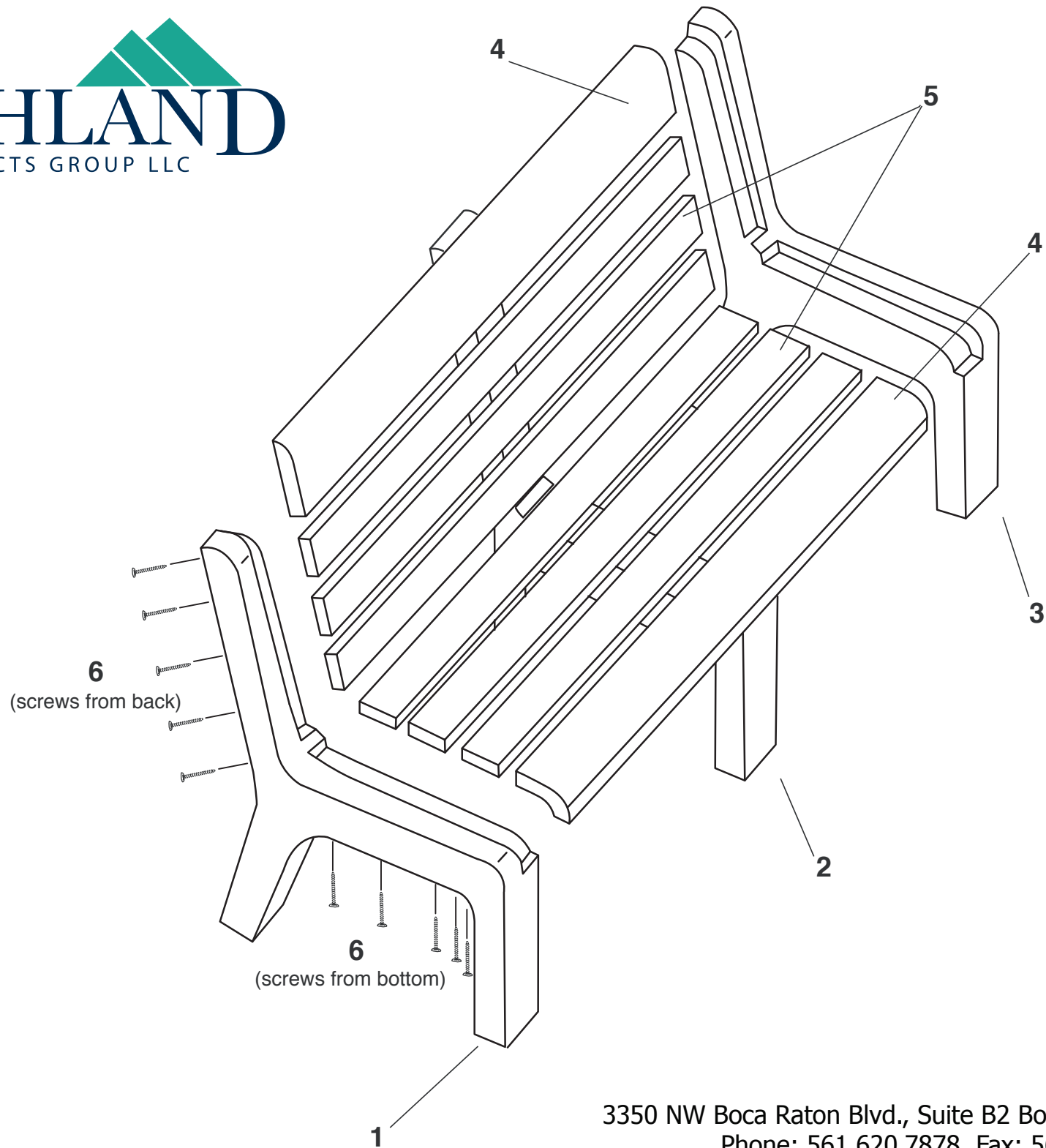
HOLD OR CLAMP THE PROFILES SECURELY WHILE TIGHTENING SCREWS. A POWER DRIVER OF SOME TYPE IS RECOMMENDED – **DO NOT OVER TIGHTEN.**

*Your 100% recycled plastic park bench will give you many years of pleasure and pride, knowing that you did your part in keeping plastic waste out of landfills and protecting our environment.*

	4'	5'6'	
REF#	QTY	QTY	DESCRIPTION
1	1	1	RIGHT MALIBU BENCH LEG
2	1	1	CENTER MALIBU BENCH LEG
3	1	1	LEFT MALIBU BENCH LEG
4	2	2	BOCA BOARD
5	6	6	2" X 4" PROFILE
			HARDWARE
6	40	40	 #14 X 2-1/4" SS PHILLIPS SCREW



3350 NW Boca Raton Blvd., Suite B2 Boca Raton, FL, 33431  
Phone: 561.620.7878 Fax: 561.620.8668



## ASSEMBLY INSTRUCTIONS

### ITEM 133-1003 INGROUND MOUNT

**STEP 1:** PLACE THE BENCH LEGS FACING UPRIGHT ON A LEVEL SURFACE, MAKING SURE THE MIDDLE LEG IS CENTERED.

**STEP 2:** PLACE A 2" X 4" PROFILE TOWARD THE BACK OF THE SEAT ON THE LEGS, MAKING SURE THE "MOLD" SEAM IS FACING DOWN. INSERT SCREWS INTO PREDRILLED HOLES IN THE BENCH LEGS.

**STEP 3:** PLACE A 2" X 4" PROFILE TOWARD THE BOTTOM OF THE BACK ON THE LEGS, MAKING SURE THE "MOLD" SEAM IS FACING THE BACK. INSERT SCREWS INTO PREDRILLED HOLES IN THE BENCH LEGS.


**STEP 4:** REPEAT WITH REMAINING 2" X 4" PROFILES.

**STEP 5:** PLACE A BOCA BOARD ONTO THE SEAT OF THE LEGS. INSERT SCREWS INTO PREDRILLED HOLES IN THE BENCH LEGS. REPEAT WITH BOCA BOARD ON THE BACK OF THE BENCH.

HOLD OR CLAMP THE PROFILES SECURELY WHILE TIGHTENING SCREWS. A POWER DRIVER OF SOME TYPE IS RECOMMENDED – **DO NOT OVER TIGHTEN.**

**STEP 6:** PUT THE BENCH EXACTLY WHERE YOU WANT TO INSTALL IT (STILL ON ITS SIDE). MARK THE GROUND WHERE THE "SPIKED" ENDS ARE. DIG POSTHOLES APPROXIMATELY 20" DEEP WHERE YOU MADE YOUR MARKS. PUT THE "SPIKED" ENDS INTO THE HOLES AND MEASURE THE HEIGHT FROM THE FRONT OF THE SEAT TO THE GROUND. ADD OR REMOVE MATERIAL FROM THE HOLES UNTIL THE BENCH (TOP OF FRONT SEAT BOARD) IS APPROXIMATELY 17" ABOVE THE GROUND. PLACE A STRAIGHT ITEMS ACROSS THE SEAT TO ENSURE THE LEGS ARE ALL AT THE SAME HEIGHT TO PREVENT BOWING OR SAGGING IN THE MIDDLE. USE A LEVEL TO CHECK FINAL VERTICAL AND HORIZONTAL ALIGNMENT OF THE BENCH LEGS AND ADJUST AS NECESSARY. FILL THE HOLES WITH DIRT OR USE CONCRETE FOR A MORE PERMANENT INSTALLATION.

*Your 100% recycled plastic park bench will give you many years of pleasure and pride, knowing that you did your part in keeping plastic waste out of landfills and protecting our environment.*

	4'	5'6'	
REF#	QTY	QTY	DESCRIPTION
1	1	1	RIGHT MALIBU BENCH LEG
2	1	1	CENTER MALIBU BENCH LEG
3	1	1	LEFT MALIBU BENCH LEG
4	2	2	BOCA BOARD
5	6	6	2" X 4" PROFILE
			HARDWARE
6	40	40	 #14 X 2-1/4" SS PHILLIPS SCREW

