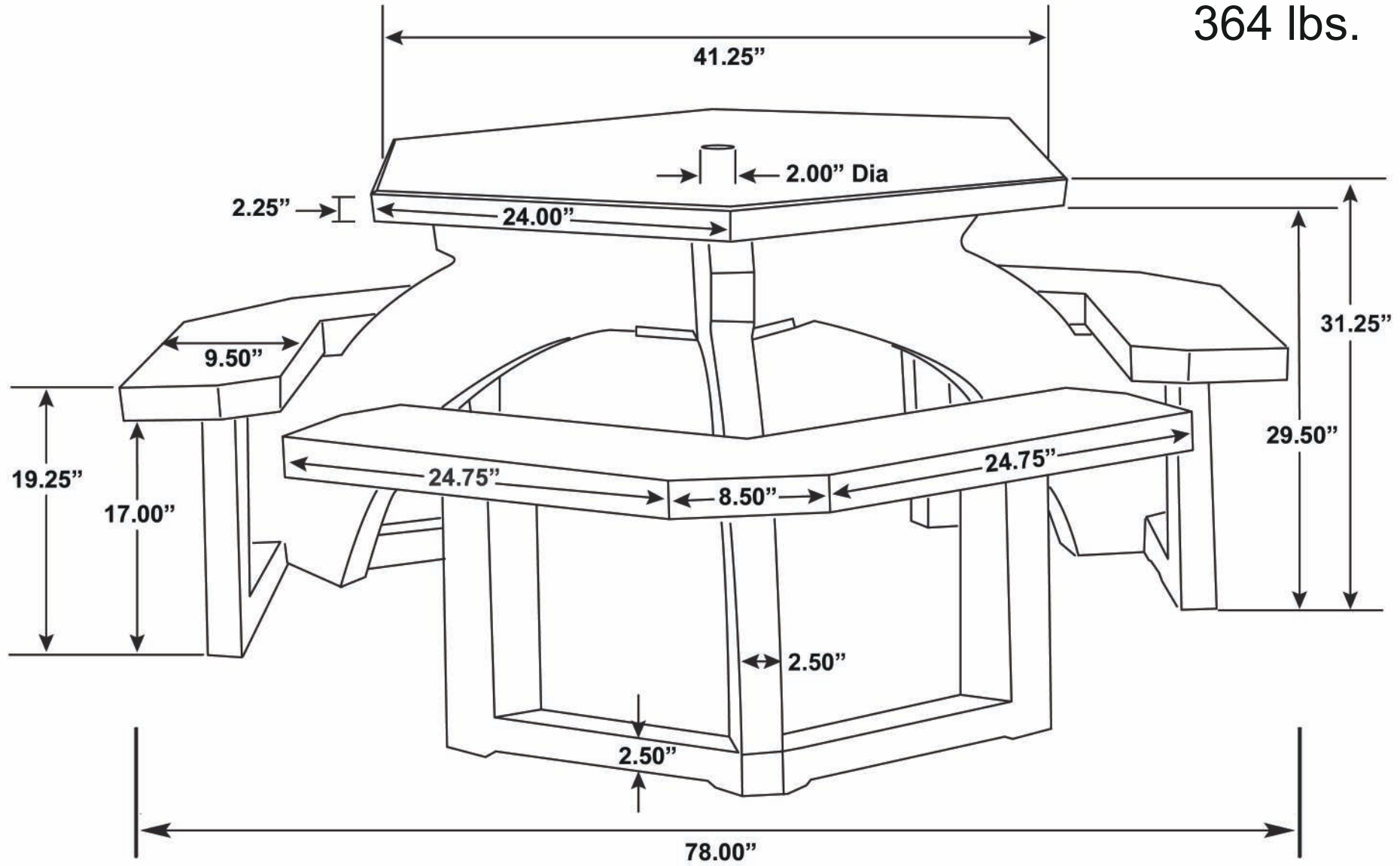


ADA Compliant
364 lbs.



ASSEMBLY INSTRUCTIONS

ITEM 133-1050

STEP 1: PLACE THE FULL TABLE SEAT UPSIDE DOWN ON A FLAT SURFACE. PLACE A TABLE LEG UPSIDE DOWN ON THE SEAT AND ALIGN THE HOLES IN THE SEAT PORTION OF THE LEG TO THE PILOT HOLES IN THE SEAT. FASTEN SEAT TO LEG USING 2 OF THE 2-1/2" LAG SCREWS AND 2 WASHERS. **DO NOT TIGHTEN!!**

STEP 2: PLACE FULL SEAT BRACE UPSIDE DOWN ON TOP OF THE TABLE LEG AND THE SEAT. ALIGN THE HOLES IN THE SEAT BRACE TO THE PILOT HOLES IN THE SEAT AND THE PILOT HOLE IN THE BOTTOM OF THE LEG. FASTEN THE SEAT BRACE TO THE SEATS USING 4 OF THE 2-1/2" LAG SCREWS AND 4 WASHERS. **DO NOT TIGHTEN!!**

STEP 3: FASTEN THE SEAT BRACE TO THE TABLE LEG USING 1 OF THE 5" LAG SCREWS AND 1 WASHER. **DO NOT TIGHTEN!!**

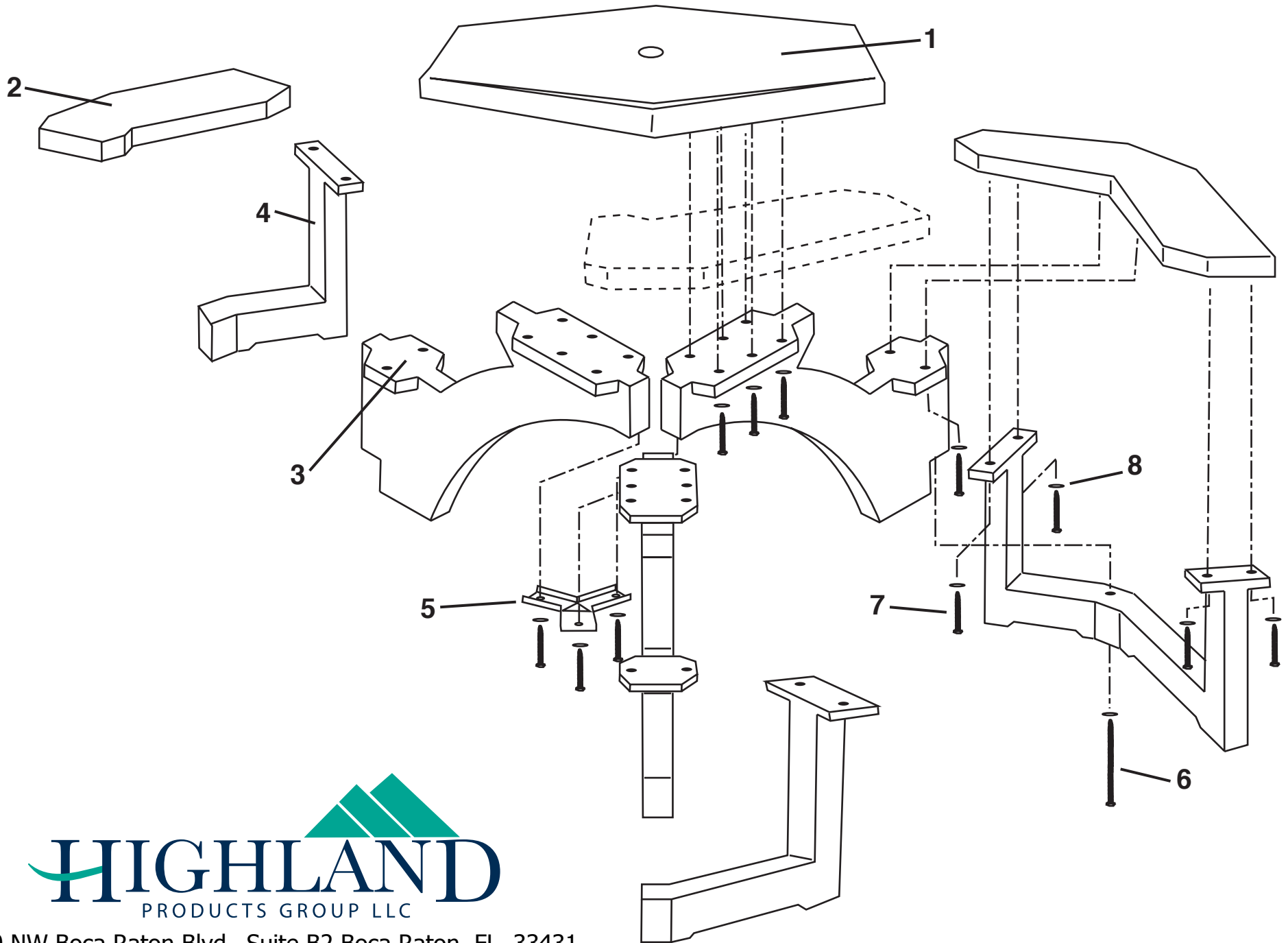
STEP 4: NOW YOU MAY GO BACK AND FINISH DRIVING THE SCREWS IN THE REST OF THE WAY. **BE CAREFUL NOT TO OVER TIGHTEN!!** REPEAT STEPS 1 TO 4 FOR THE REMAINING 2 SEAT UNITS. (YOU WILL ONLY USE 1/2 THE HARDWARE SINCE THESE ARE THE PARTIAL SEATS).

STEP 5: ATTACH THE METAL PINWHEEL BRACKET TO **ONE OF THE TABLE LEGS** USING 1 OF THE 2-1/2" LAG SCREWS AND 1 WASHER. FLIP THE 3 SEAT UNITS RIGHT SIDE UP. PLACE THE OTHER TWO TABLE LEGS ONTO THE METAL PINWHEEL BRACKET. ATTACH THE PINWHEEL BRACKET TO THE OTHER TWO TABLE LEGS USING 1 OF THE 2-1/2" LAG SCREWS AND 1 WASHER PER LEG. **DO NOT OVER TIGHTEN!!** INSERT THE ROUND PLASTIC PIPE GUIDE IN THE CENTER OF THE TABLE LEGS (THIS IS SIMPLY A PIECE TO HELP ALIGN THE LEGS).

STEP 6: PLACE THE TABLE TOP ONTO THE TABLE LEGS, PLACING THE CENTER HOLE OVER THE TOP OF THE PIPE GUIDE. ALIGN THE HOLES IN THE TABLE LEG WITH THE PILOT HOLES IN THE TABLE TOP. FASTEN THE TABLE TOP TO THE LEGS USING 6 OF THE 2-1/2" LAG SCREWS AND 6 WASHERS PER SIDE. **DO NOT TIGHTEN!!** FASTEN THE OTHER 2 SIDES OF THE TABLE TOP TO THE LEGS – THEN GO AROUND AND FINISH DRIVING THE SCREWS IN THE REST OF THE WAY. **BE CAREFUL NOT TO OVER TIGHTEN!!** REMOVE AND DISCARD THE GUIDE PIPE.

Your 100% recycled plastic picnic table will give you many years of pleasure and pride, knowing that you did your part in keeping plastic waste out of landfills and protecting our environment.

REF#	QTY	DESCRIPTION
1	1	TABLE TOP
2	3	TABLE SEAT (1 L, 1 R, 1 FULL)
3	3	PLASTIC TABLE LEGS
4	3	PLASTIC SEAT BRACES (1L, 1R, 1 FULL)
5	1	METAL PINWHEEL BRACKET
		HARDWARE KIT
6	3	 3/8" X 5" LAG SCREW
7	35	 3/8" X 2-1/2" LAG SCREW
8	38	 3/8" FLAT WASHER



3350 NW Boca Raton Blvd., Suite B2 Boca Raton, FL, 33431
Phone: 561.620.7878 Fax: 561.620.8668