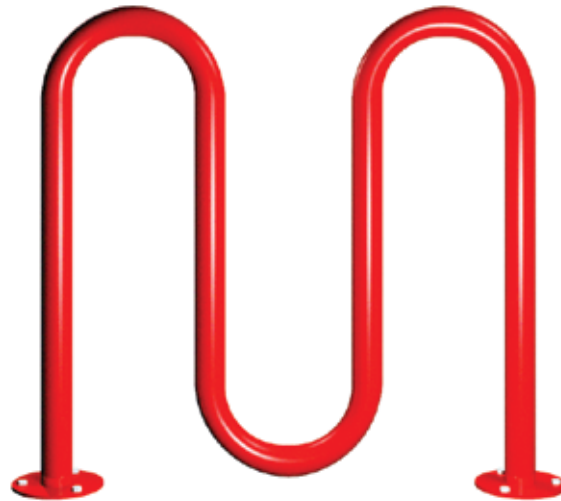


**SPEC SHEET: 166-1294 INGROUND MOUNT**

**39 1/2" THERMOPLASTIC WAVE RACK 2 3/8" DIA**

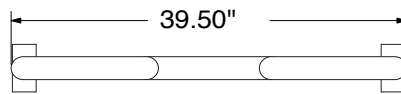
**Wt.109 lbs**

*photo*

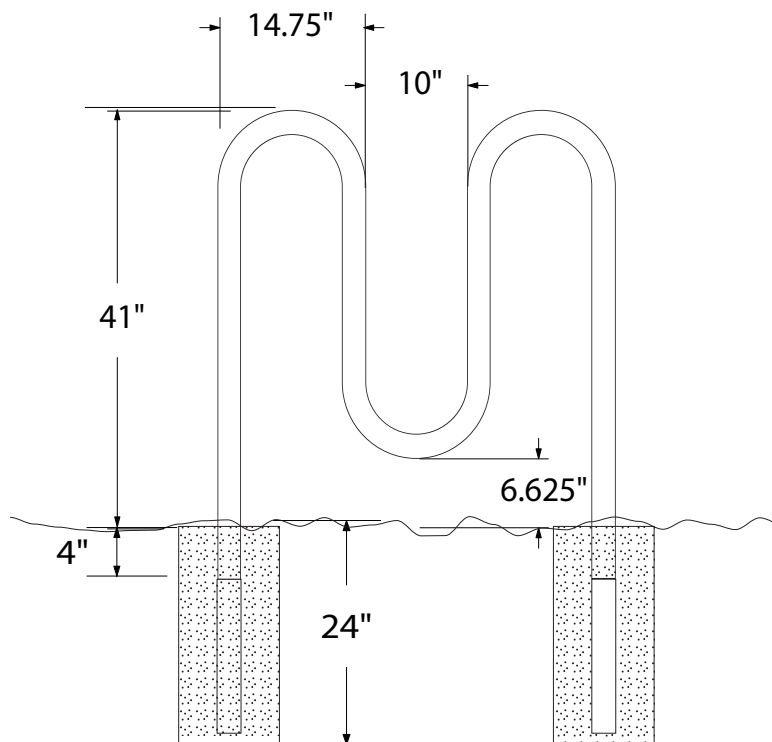


SURFACE MOUNT FOR SHOW ONLY

*top view*



*front view*

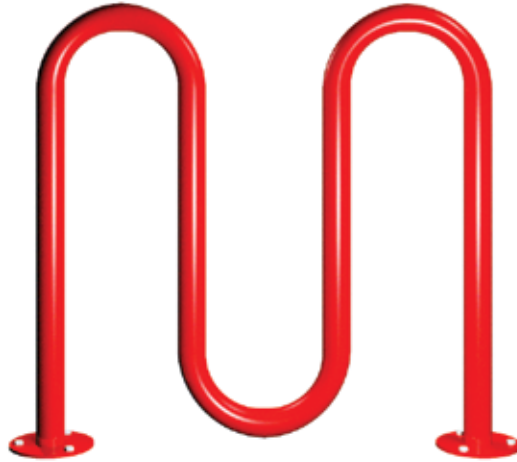


**SPEC SHEET: 166-1294 SURFACE MOUNT**

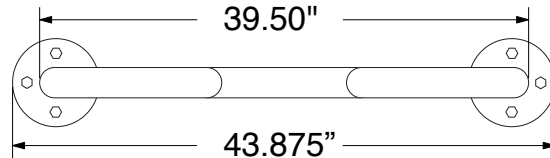
**43 7/8" THERMOPLASTIC WAVE RACK 2 3/8" DIA**

**Wt. 85 lbs**

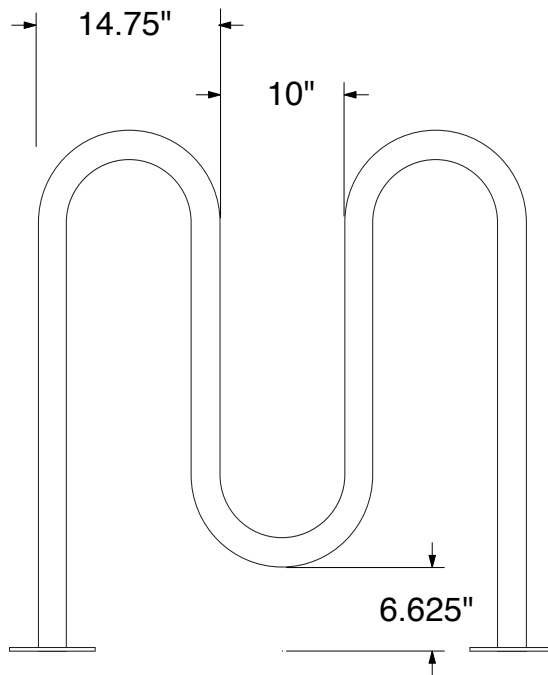
*photo*



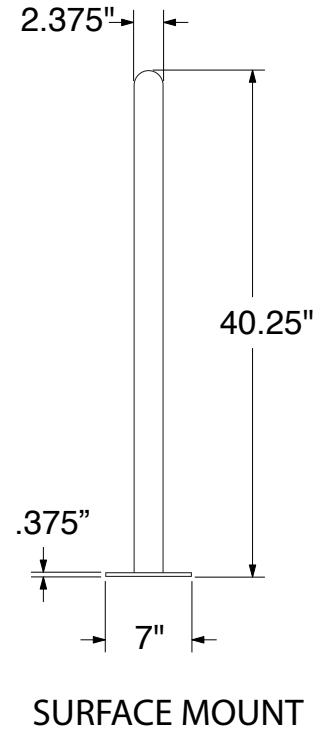
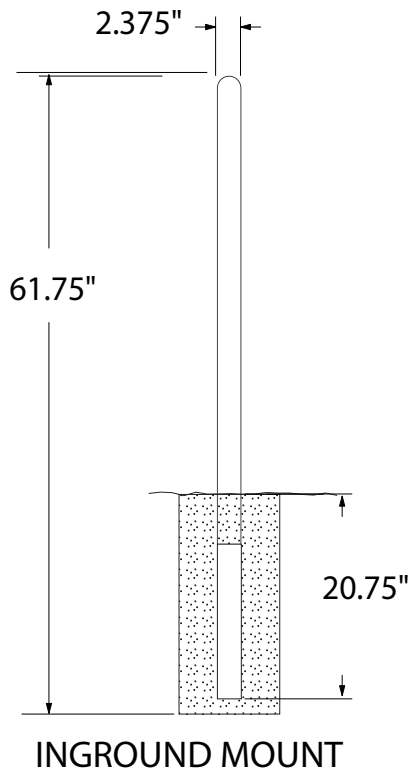
*top view*



*front view*



**side view**



**product finish**



The functional surfaces of our furniture are covered in a copolymer-based thermoplastic powder coating. Thermoplastic is environmentally safe, the coating will never fade, crack, peel, warp, or discolor for the life of the product. Thermoplastic is applied at a thickness of 25-30 mils.

**mounting types**

SM = Surface Mount:  
concrete anchors  
through discs welded  
to legs

IG= In-Ground:  
extra long tubes

