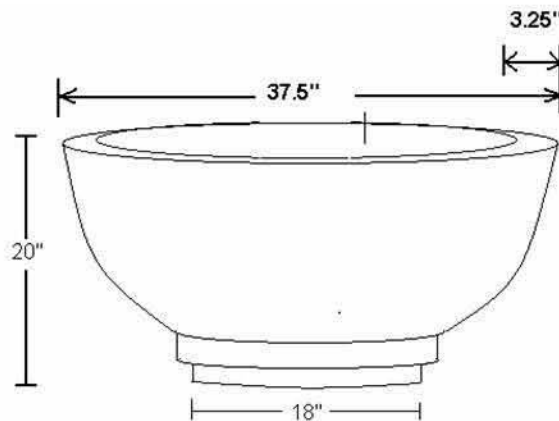




Specification Sheet 3' Round Concrete Deco Base Bowl Planter



Specifications:

- Dimensions: 37.5" Overall Diameter, 18" Base Diameter, 20" Height, 3.25" Wall Thickness
- Weight: 600 lbs
- Materials: 3/8" steel rebar, Type 3 Portland cement conforming to ASTM C31 specifications
- Stress Load: 5000 PSI at 28 days
- Finish options: Natural, Con-tex, Light Sandblast or Heavy Sandblast (please reference color/finish sheet)
- Color Options: Natural, Charcoal #920, Brown #238, Terra Cotta, Coco, Green or custom (please reference color/finish sheet)
- Warranty: One year warranty against manufacturer's defects

Standard Concrete Pigment Color & Finish Options:



Color: Natural
Finish: Natural



Color: Natural
Finish: Con-tex



Color: Natural
Finish: Light Blast



Color: Natural
Finish: Heavy Blast



Color: Brown #238
Finish: Natural



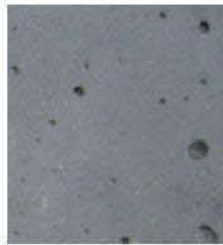
Color: Brown #238
Finish: Con-tex



Color: Brown #238
Finish: Light Blast



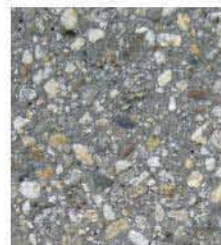
Color: Brown #238
Finish: Heavy Blast



Color: Charcoal #920
Finish: Natural



Color: Charcoal #920
Finish: Con-tex

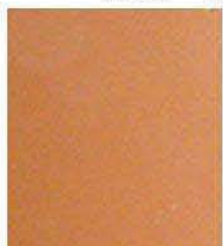


Color: Charcoal #920
Finish: Light Blast



Color: Charcoal #920
Finish: Heavy Blast

Standard Concrete Stain Color & Finish Options:



Stain Color: Terra Cotta
Concrete Finish: Natural



Stain Color: Cocoa
Concrete Finish: Natural



Stain Color: Green
Concrete Finish: Natural

PLEASE NOTE:

On-screen and printed color representations
may vary from actual product colors.