

Laser Cut Panel Themed Bike Rack

Installation Instructions



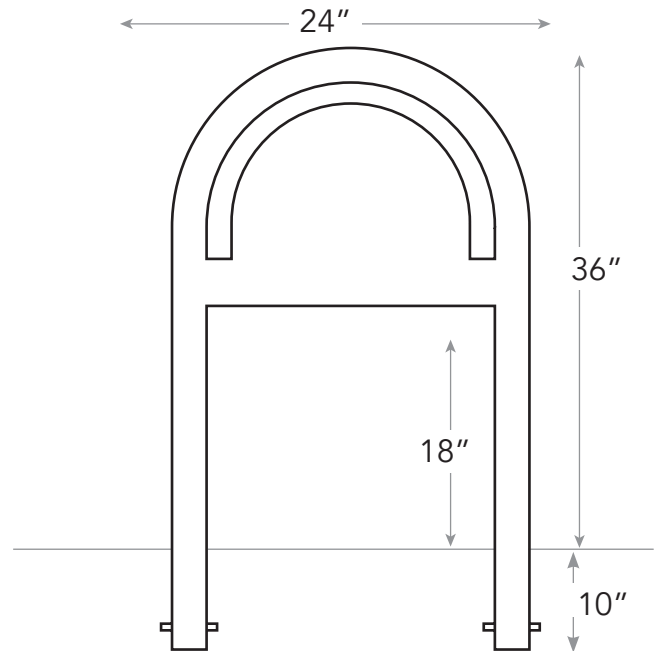
In-ground Mount:

How to install into existing sidewalk:

Core holes no less than 3" diameter (4" recommended) and 10" deep into sidewalk. Place Bike Rack into hole making sure the rack is level. Fill hole with epoxy grout. 36" of the Bike Rack should remain above the surface. Make sure the rack is level and held in place until the grout has completely set.

How to install into new sidewalk:

- Place corrosion resistant sleeve (min. 4" inside diameter in sand pour bed in exact location where rack will be installed. Make sure top of sleeve is at same level as desired finished concrete surface. Fill sleeve with sand to keep it in place and prevent it from filling with concrete.
- Pour concrete and allow to cure.
- After appropriate cure time, dig out sand from sleeves and insert racks, making sure they are level and at appropriate height. Pour in epoxy grout and allow to set.



Surface Mount:

- Place the rack in the desired location. Use a marker or pencil to outline the holes of the flange onto the base material.
- Drill the holes. Make sure the holes are at least 3" away from any cracks in the base material.
- Drill the holes. Make sure the holes are at least 3" away from any cracks in the base material.
- Tap in anchors.

