

ILLUSTRATION B

3. Take a tee nut and line it up with the hole (prongs facing into the inside of the bottom plastic ring) and tighten. You will fasten 5 of the shorter boards then fasten another long one. (Illustration "B")

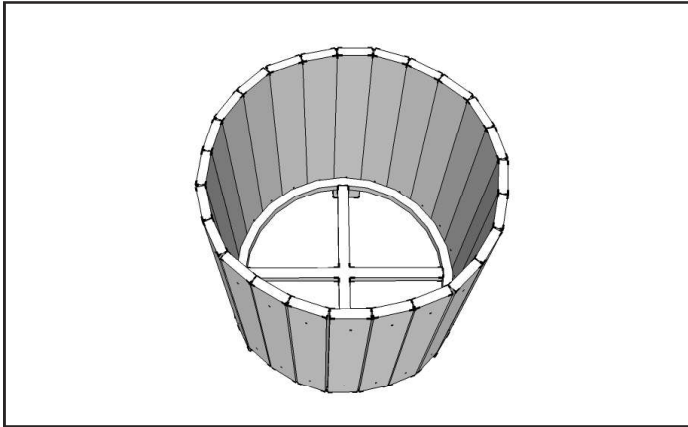


ILLUSTRATION C

4. Repeat this process with each board until all boards have been attached to the bottom ring. Do not over-tighten as you still must attach the boards to the top ring. (Illustration "C")

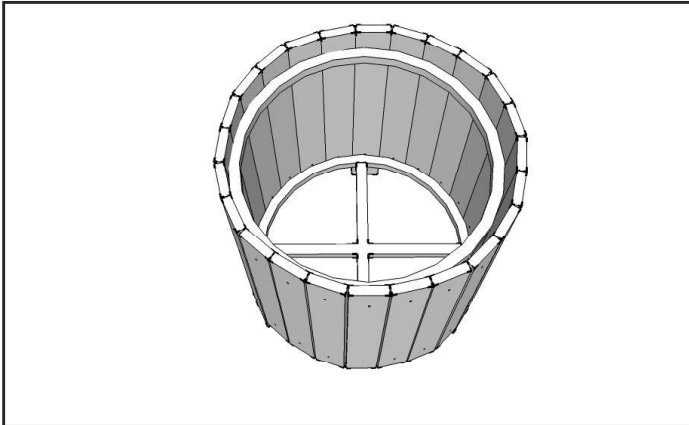


ILLUSTRATION D

5. Using the same directions listed in steps 2 and 3, line up the top plastic ring with the slats and repeat the process until all boards have been attached to the top ring. You may now tighten all bolts remembering to make sure the can is put together evenly. (Illustration "D")

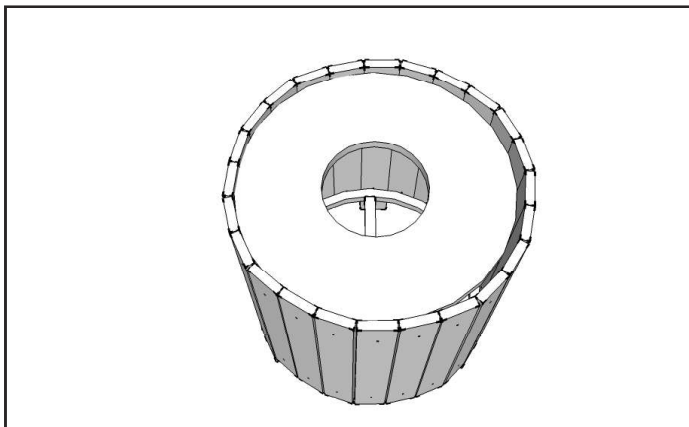


ILLUSTRATION E

6. Place a liner (not included) inside the can and place the plastic lid on top. (Illustration "E")