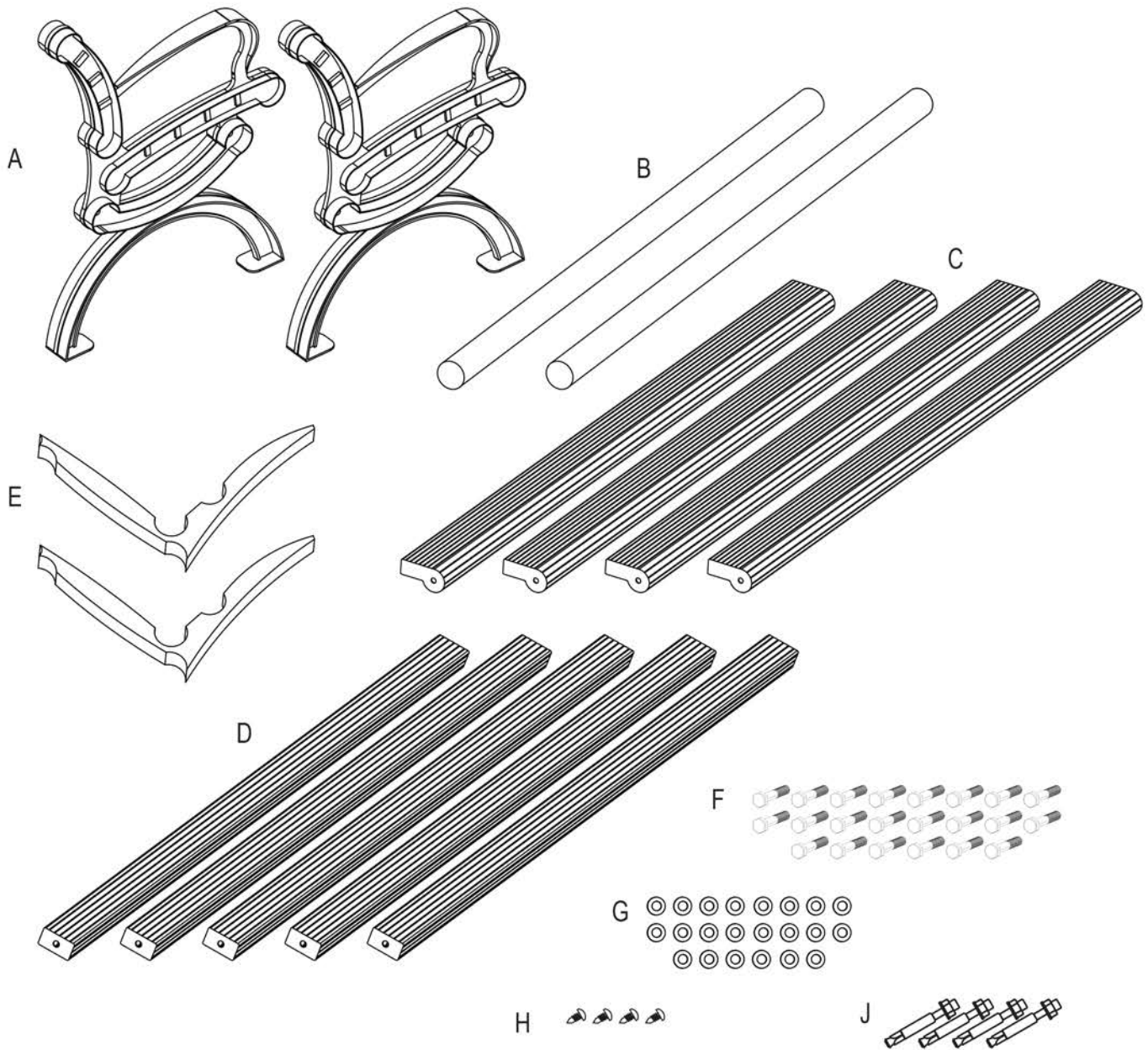
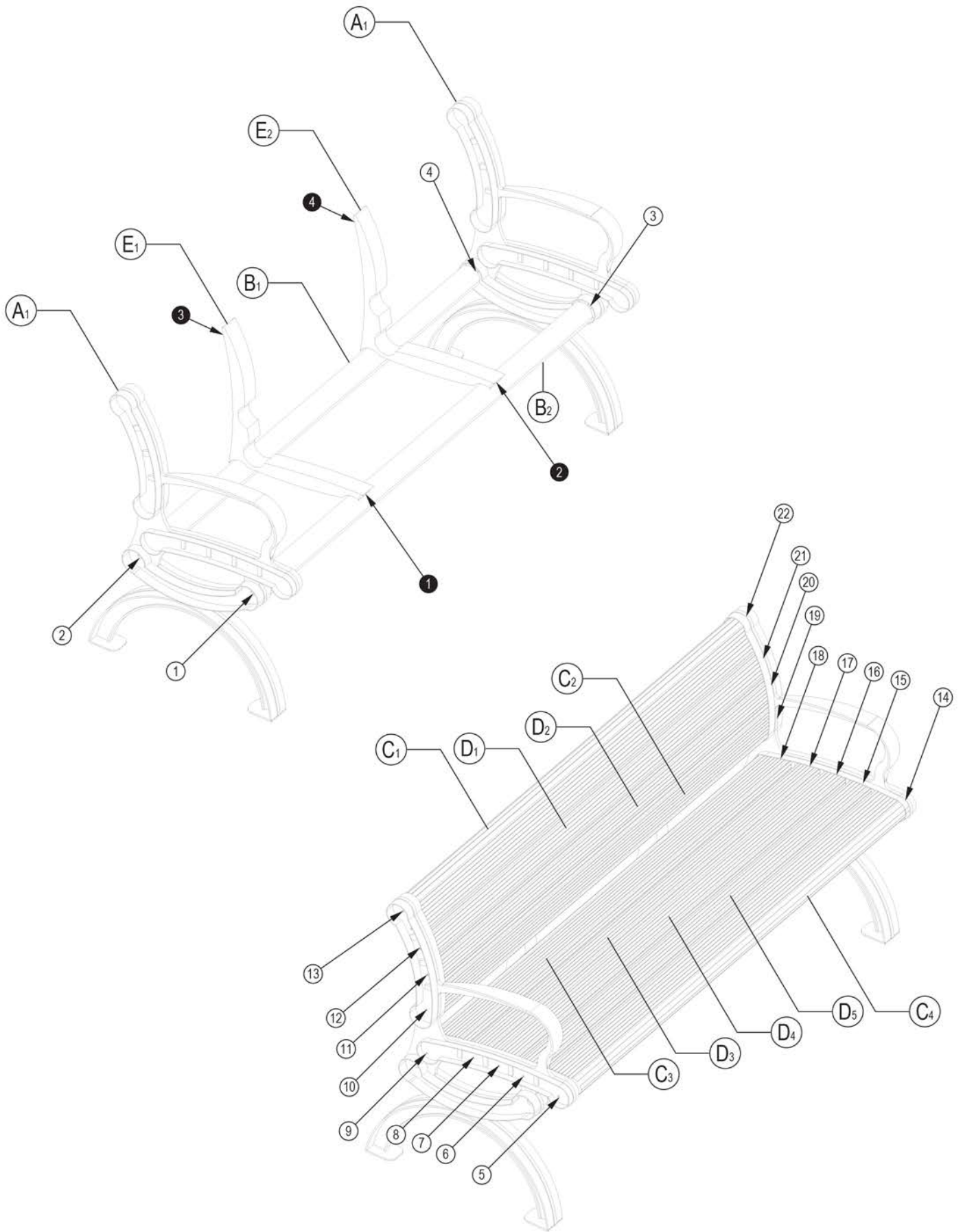


Model No. 398-9100 Assembly Instructions



BEFORE ASSEMBLY, PLEASE MAKE SURE ALL COMPONENTS ARE INCLUDED

- |  |  |
|--|--|
| A <input type="checkbox"/> (2) LEGS            | F <input type="checkbox"/> (22) M10X45 BOLTS       |
| B <input type="checkbox"/> (2) SUPPORT POLES   | G <input type="checkbox"/> (22) M10 WASHERS        |
| C <input type="checkbox"/> (4) BULL NOSE SLATS | H <input type="checkbox"/> (4) SELF TAPPING SCREWS |
| D <input type="checkbox"/> (5) SEAT SLATS      | J <input type="checkbox"/> (4) EXPAND ANCHOR BOLTS |
| E <input type="checkbox"/> (2) CENTER SUPPORT  |  |



*Make sure to assemble the bench on a soft mat to prevent scratching of the product's surface.  
Assemble on a flat surface to ensure that the bench is level when completed.  
DURING ASSEMBLY, DO NOT TIGHTEN BOLTS COMPLETELY.*

## **Bench Assembly**

### **Step 1**

Starting with the Legs (A) and Support Poles (B) fasten together with M10X45 Bolts (F:1-4) and M10 Washers (G:1-4). Lightly tighten the Bolts on one end, on the opposite end ('loose') fasten with only 2 or 3 rotations to allow give for the Slats to fit into place.

### **Step 2**

Place Center Supports (E) on the Support Poles (B). Center Supports are best secured into place after the Slats are fastened.

### **Step 3**

Position Seat Slats (D) and Bull Nose Slats (C) as shown and fasten with M10X45 Bolts (F:5-22) and M10 Washers (G:5-22). Lightly tighten the Bolts on the same end as in Step 1, on the opposite ('loose') end fasten with only 2 or 3 rotations.

### **Step 4**

Fully tighten all Bolts, starting with the loose end followed by the lightly tightened end.

### **Step 5**

Position the bench upside down to position each Center Support (E). Position each approximately 17" in from the Legs (A), then secure into place at both the top and the front with Self-tapping Screws (G:1-4).

*\*Note: to level the bench it may be necessary to loosen bolts, then square bench, and then re-tighten utilizing a diagonal pattern.*

## **Surface Mount Installation**

### **Step 1**

Choose your desired location for the bench, then use a marker, chalk, or pencil to outline the holes of the flange onto the base material.

### **Step 2**

Move bench and drill 4 x 3/8" diameter holes at 3.0" depth. Place anchors in holes.

### **Step 3**

Remove nuts and washers and carefully set bench over the anchors through the holes of the bench feet.

### **Step 4**

Place washers and nuts on the anchors then tighten. Make sure to keep anchors fully recessed while tightening until set, do not over-tighten.