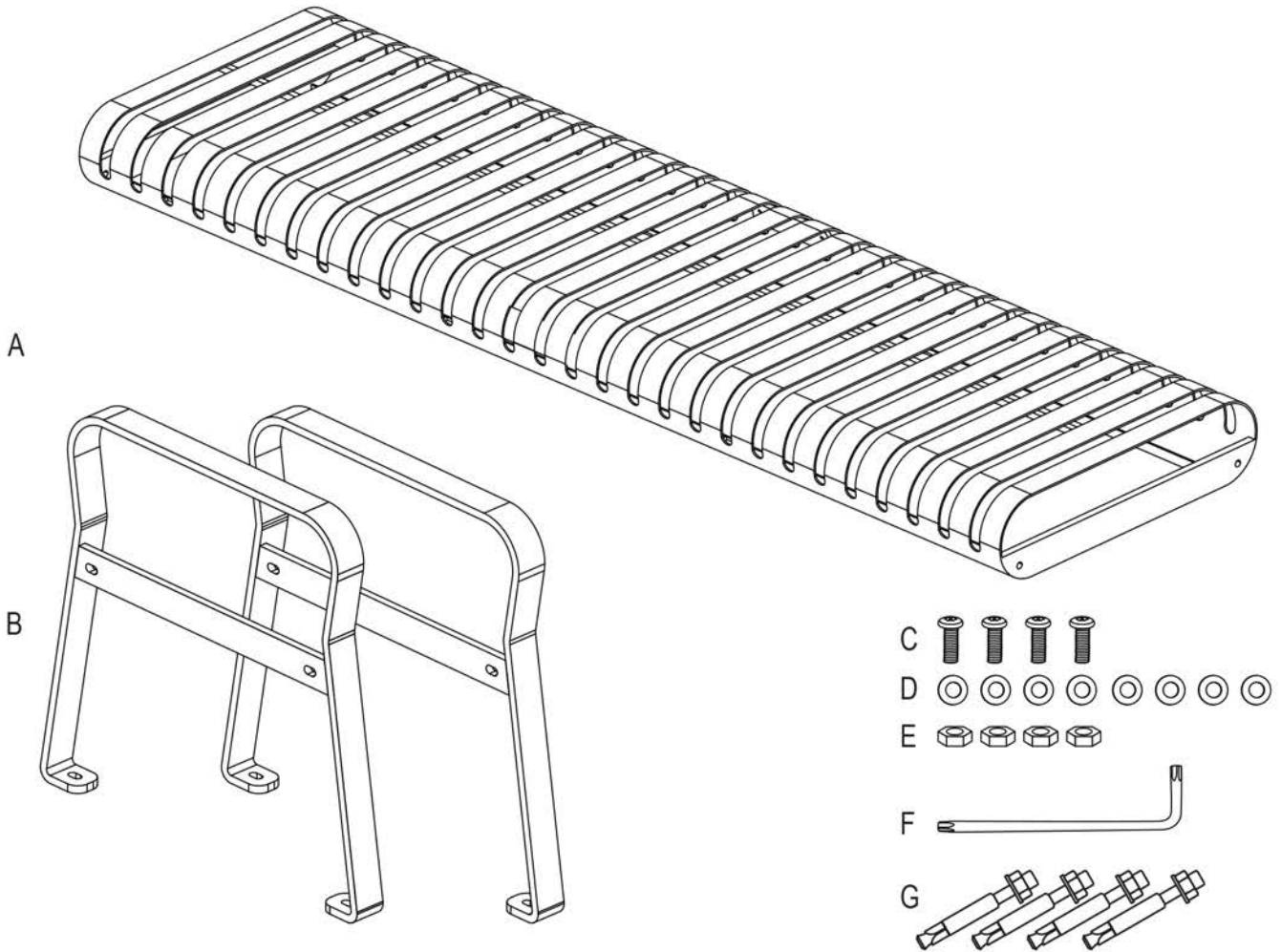


Model No. 398-9108 Assembly Instructions



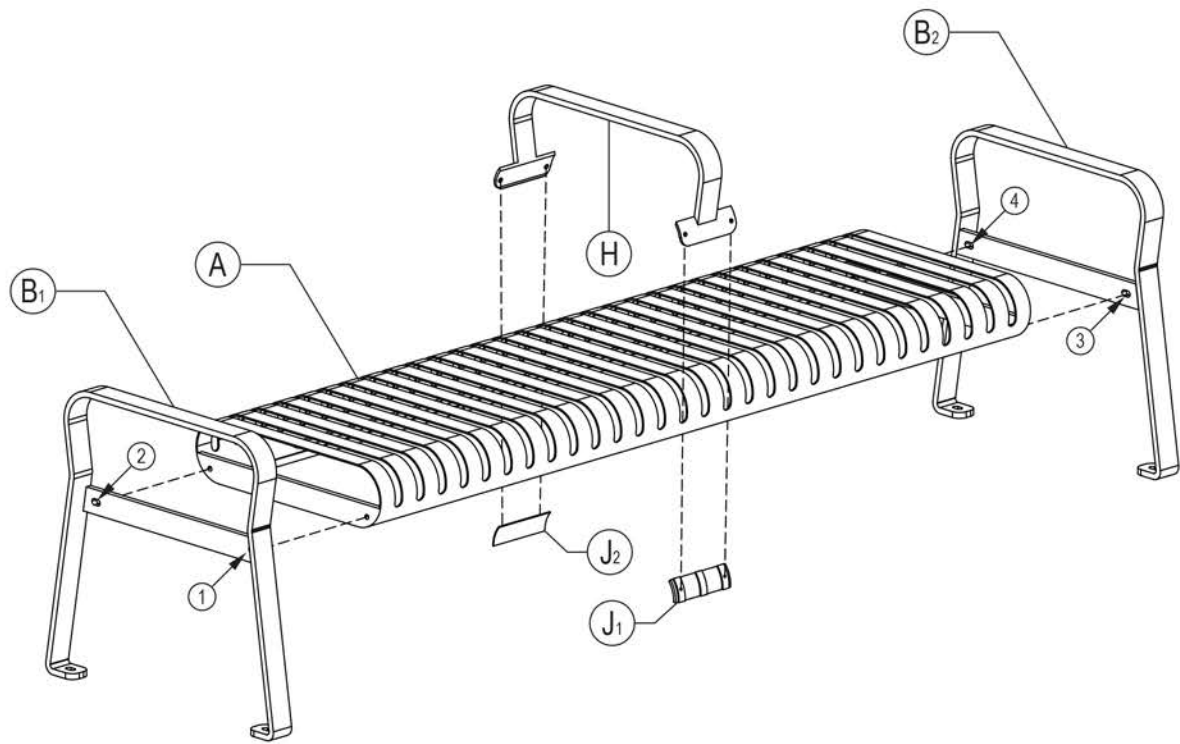
BEFORE ASSEMBLY, PLEASE MAKE SURE ALL COMPONENTS ARE INCLUDED

- |   |   |
|---|---|
| A <input type="checkbox"/> (1) SEAT ASSEMBLY        | C <input type="checkbox"/> (4) STAINLESS STEEL TORX BOLTS |
| B <input type="checkbox"/> (2) UNIVERSAL END FRAMES | D <input type="checkbox"/> (8) STAINLESS STEEL WASHERS    |
|   | E <input type="checkbox"/> (4) STAINLESS STEEL NUTS       |
|   | F <input type="checkbox"/> (1) SECURITY TORX WRENCH       |
|   | G <input type="checkbox"/> (4) EXPAND ANCHOR BOLTS        |

**OPTIONAL CENTER ARM ASSEMBLY**

The optional center arm assembly (H) is shown with its hardware components: J (2 center arm backplates), K (4 stainless steel hex bolts), L (4 stainless steel washers), and M (1 hex wrench).

H <input type="checkbox"/> (1) CENTER ARM	J <input type="checkbox"/> (2) CENTER ARM BACKPLATES
K <input type="checkbox"/> (4) STAINLESS STEEL HEX BOLTS	L <input type="checkbox"/> (4) STAINLESS STEEL WASHERS
M <input type="checkbox"/> (1) HEX WRENCH	



*Make sure to assemble the bench on a soft mat to prevent scratching of the product's surface.*

*DURING ASSEMBLY, DO NOT TIGHTEN BOLTS COMPLETELY.*

### **Bench Assembly**

#### **Step 1**

Place one (Part B) universal end at each end of bench.

#### **Step 2**

With the legs (Part B) lying on their side, line up the holes from the seat ends (Part A) and loosely insert 2 bolts and washers (Parts C&D) on outside of each end (Part B) and add washers and nuts (Parts D&E) to inside of bench seat (Part A).

#### **Step 3**

Stand bench upright on flat surface and tighten all 4 bolts.

### **In-Ground Installation**

#### **Step 1**

For in ground mounting place bench in desired location and mark surface for all 4 holes locations.

#### **Step 2**

Move bench and drill 4 holes 3/8" diameter at 3.0" depth. Place anchors in holes.

#### **Step 3**

Remove nuts and washers and carefully replace bench with the anchors thru the holes of the bench feet.

#### **Step 4**

Secure the nuts and washers on the anchors and hand tighten. Over tightening can result in pulling the studs from the ground.