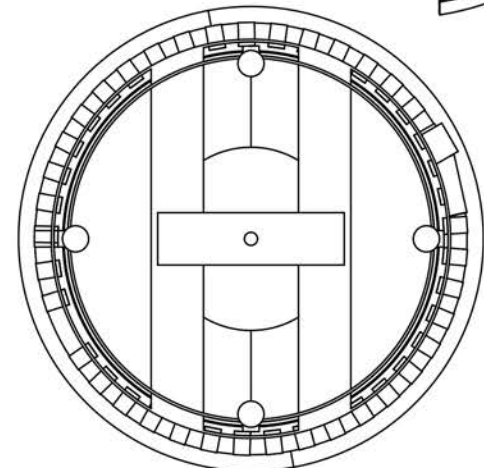
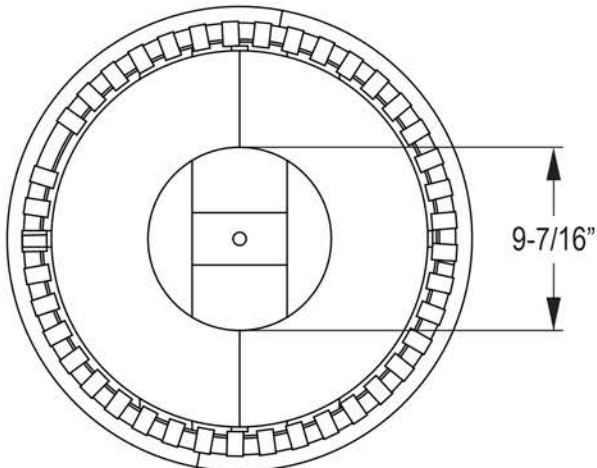
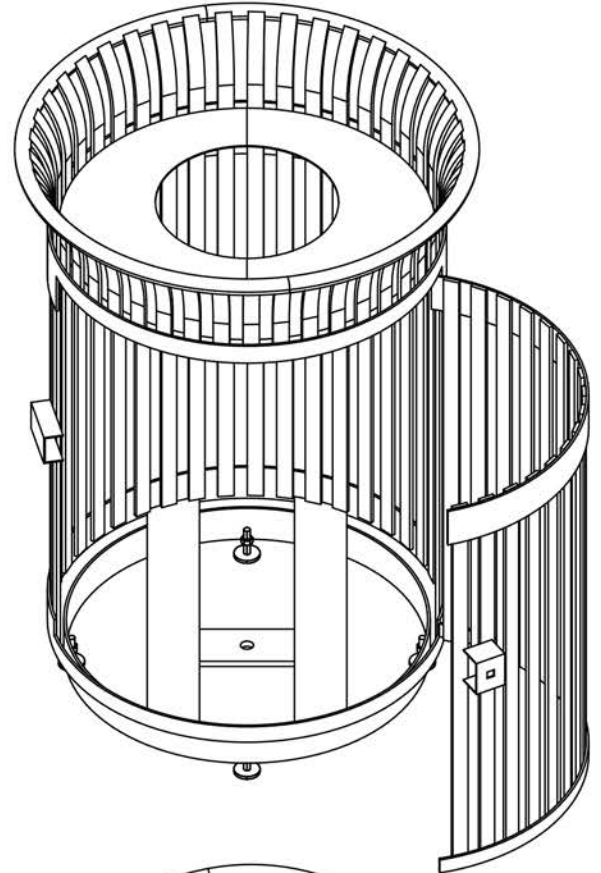
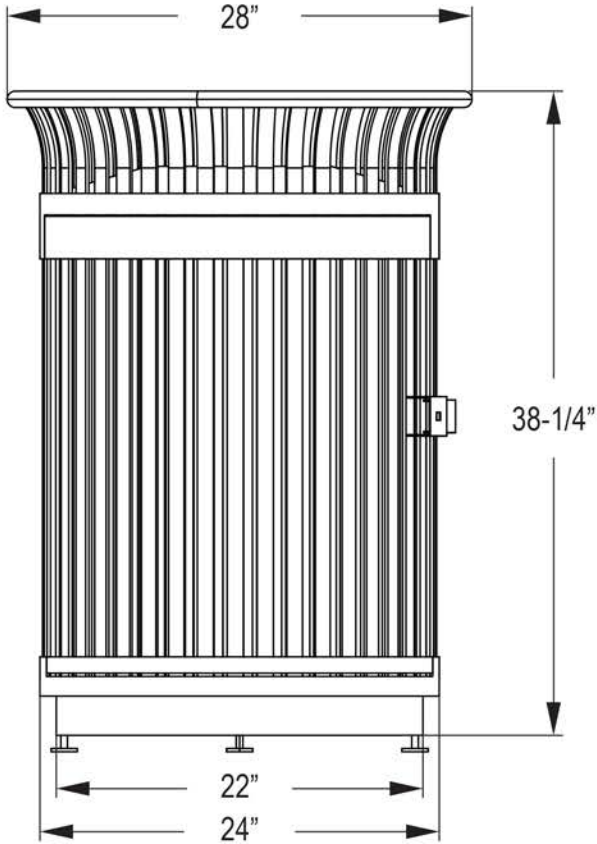
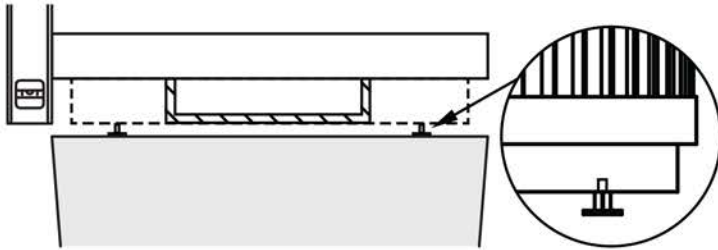


Model No. 398-9120 Assembly Instructions

### Flare Top Trash Receptacle with Door | Flat Top Lid





## TOP TOP

Utilize leveling legs on the bottom to level the receptacle for better stability.

# INSTALLATION INSTRUCTIONS FOR SURFACE MOUNT

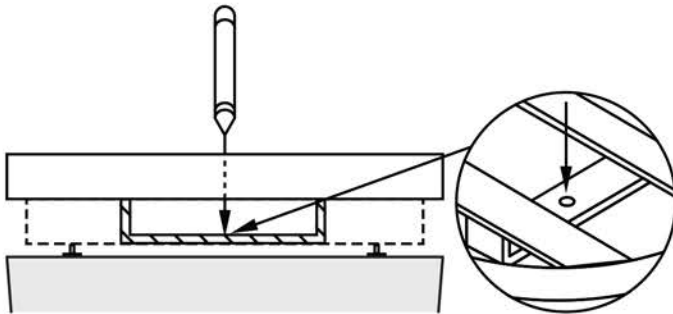
## Common Tools Needed

Tape Measure

Marker, Pencil, or Chalk

Masonry Drill Bit 3/16", 3/8", & 1/2"

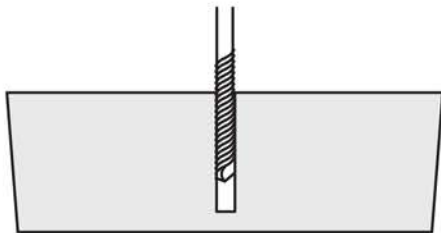
Hammer Drill or Hammer



## Step 1

Choose your desired location for the receptacle.

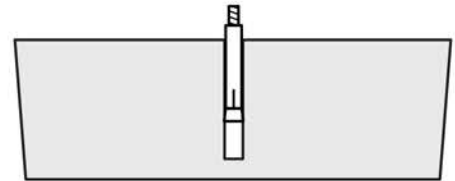
Then use chalk, marker, or pencil to mark center for the drill hole on the base material.



## Step 2

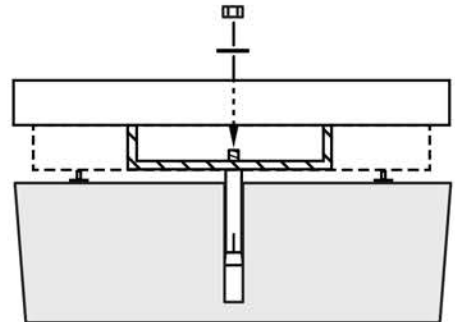
Create starter pilot holes, it will help prevent the drill from drifting.

Then drill hole that is to the depth of 1-7/8" and 1/2" in diameter.



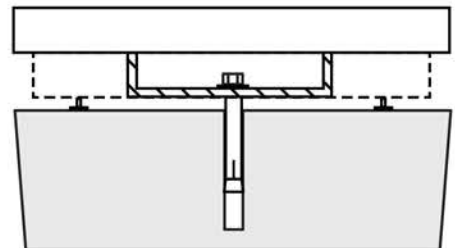
## Step 3

Insert the expand anchor bolt in to drill hole to proper depth. Remove washer and nut.



## Step 4

Position the receptacle and secure with washer and the expand anchor nut.



## Step 5

Completely tighten the expand anchor nut.