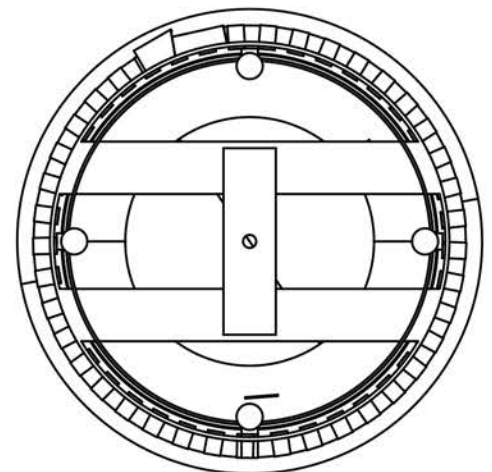
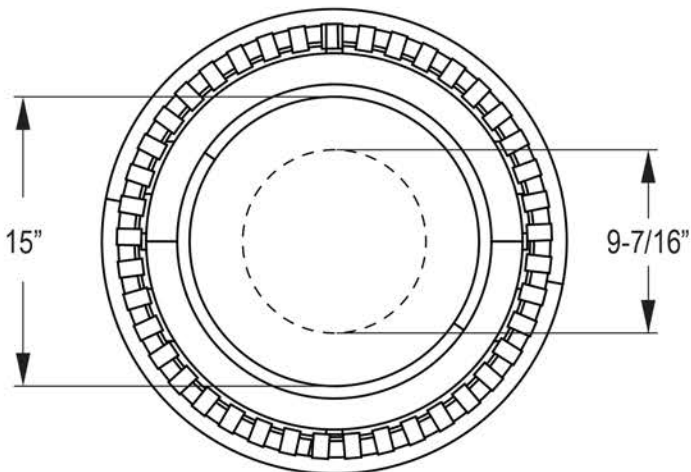
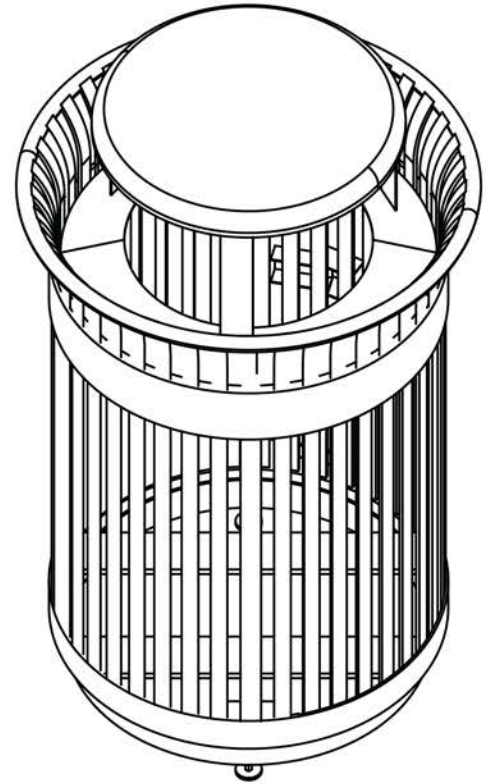
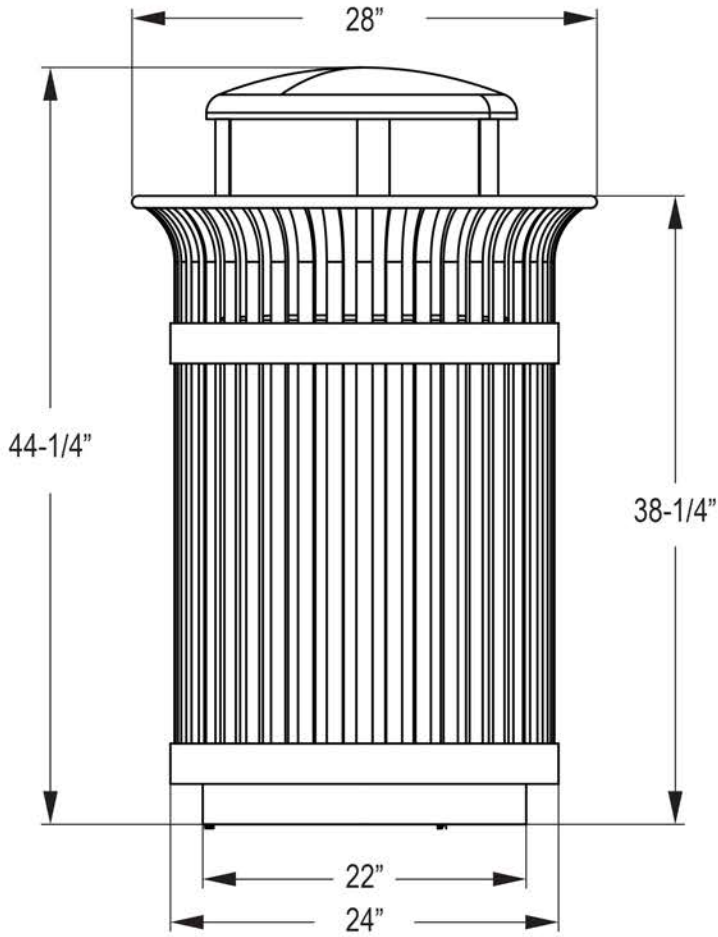
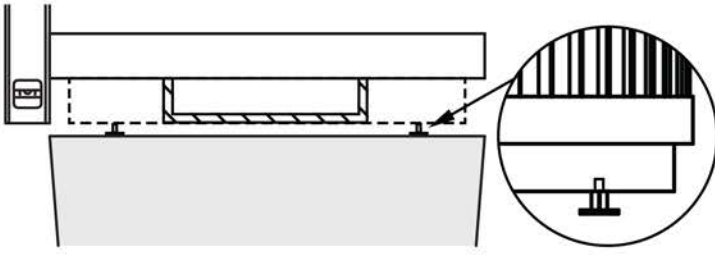


Model No. 398-9122 Assembly Instructions

Flare Top Trash Receptacle | Rain Bonnet Lid





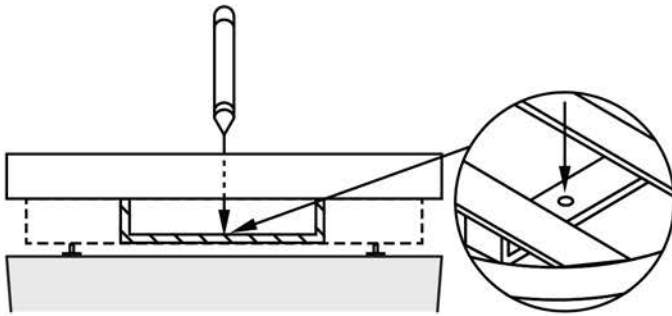
TOP TIP

Utilize leveling legs on the bottom to level the receptacle for better stability.

INSTALLATION INSTRUCTIONS FOR SURFACE MOUNT

Common Tools Needed

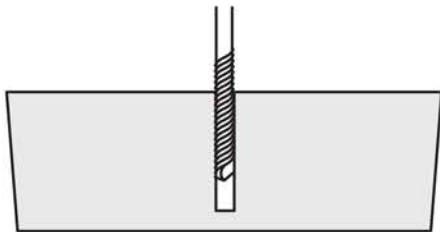
Tape Measure
 Marker, Pencil, or Chalk
 Masonry Drill Bit 3/16", 3/8", & 1/2"
 Hammer Drill or Hammer



Step 1

Choose your desired location for the receptacle.

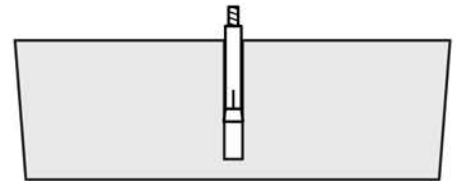
Then use chalk, marker, or pencil to mark center for the drill hole on the base material.



Step 2

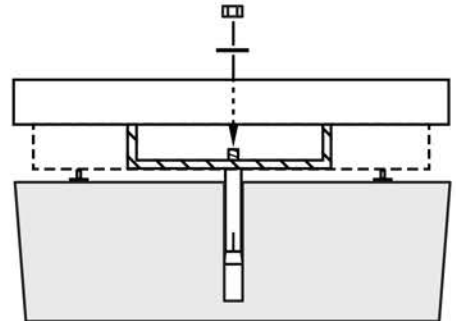
Create starter pilot holes, it will help prevent the drill from drifting.

Then drill hole that is to the depth of 1-7/8" and 1/2" in diameter.



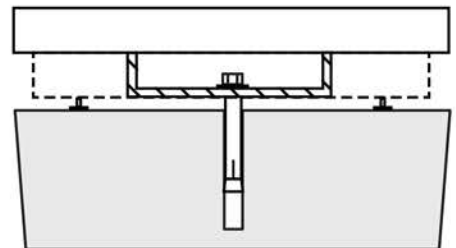
Step 3

Insert the expand anchor bolt in to drill hole to proper depth. Remove washer and nut.



Step 4

Position the receptacle and secure with washer and the expand anchor nut.



Step 5

Completely tighten the expand anchor nut.