

Product

6' Bench with Back

Model: 543-6001

Materials:

- 3/4" 9 Expanded Metal or 1/2" Punched Steel
- 3/4" x 2" Angle Iron Outer Frame
- 1-1/2" x 1/4" Flat Steel Inside bracing
- 2-3/8" Round Tubing Frame Material
- 2"x 2" Angle Iron Frame Bracing
- 1" Round Tubing Diagonal Braces for Portable Benches

Finishes:

SealGuard

Polyethylene Thermoplastic applied by fluidized bed to maintain even and complete coating. UV stabilized, impact resistant, mold and mildew resistant, graffiti resistant.

Color Options:

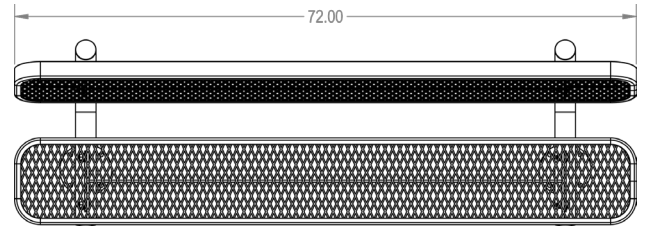
Colors

- Black | Burgundy | Burnt Red
- Red | White | Ivory | Silver
- Brown | Orange | Hunter Green

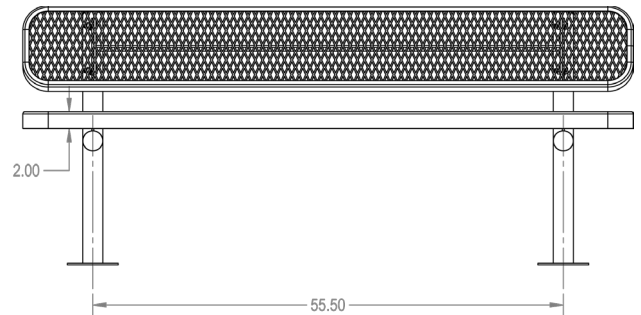
Mount Options:

- InGround
- Surface
- Portable

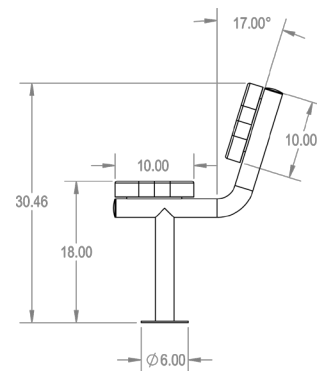
Top View



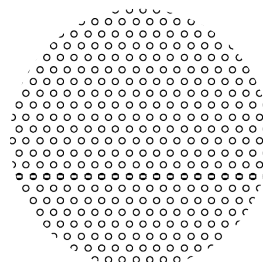
Front View



Side View



Punched Hole



Expanded

