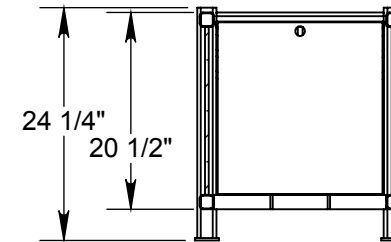
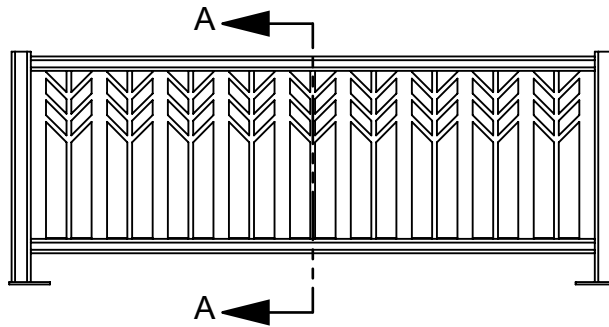
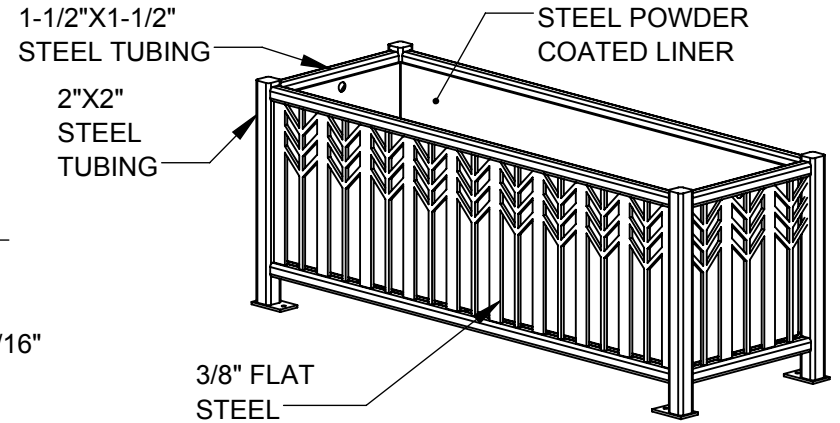
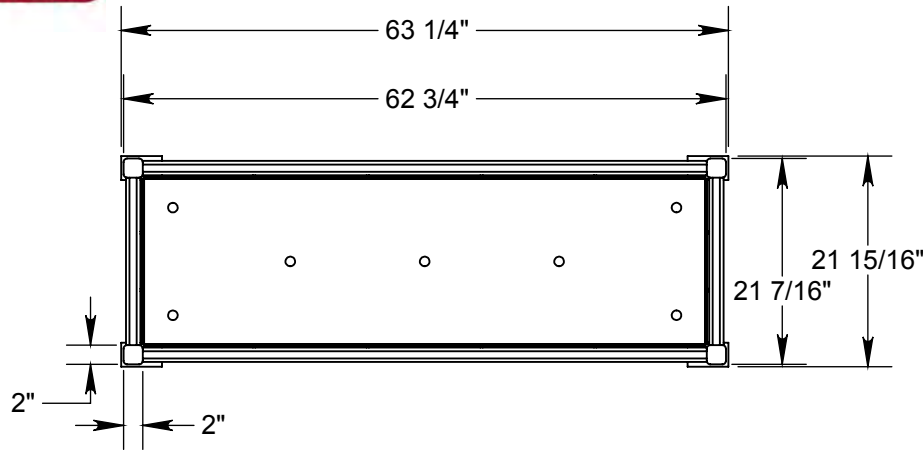


MODEL: 154-1429
WEIGHT: 280 LBS
MATERIAL: STEEL



SECTION A-A

