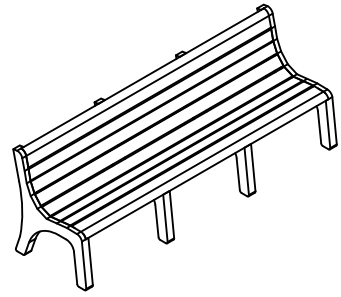
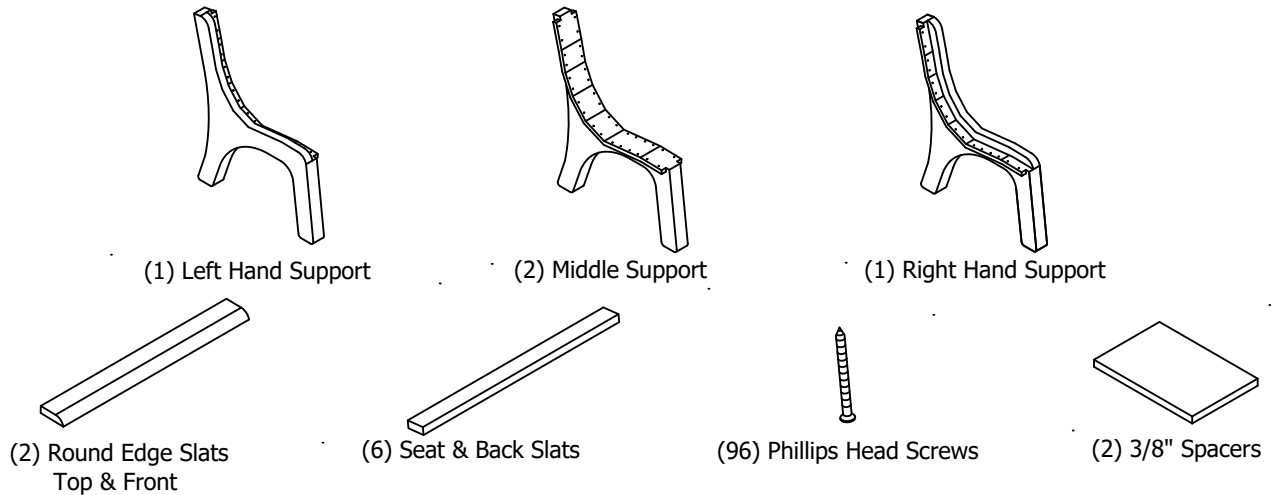


Newport Bench 8 FT Assembly Instructions



Tools for Assembly: Powered driver and Phillips Head Bit

Components



Step by Step Assembly

Before you begin: Check components to verify all are included. Assembly will require two people and must be performed on a level and smooth surface. Do not overtighten hardware as damage can occur.

Step 1

Stand a RH and LH support upright and perpendicular to each other. Place the front round edge slat on the mounting surface with the pre-drilled holes. See Illustration 'A'. From the underneath side, attach the slat to each support at the pre-drilled holes using the phillips head screws. Do not over tighten or screws may protrude through the opposite side of the slat.

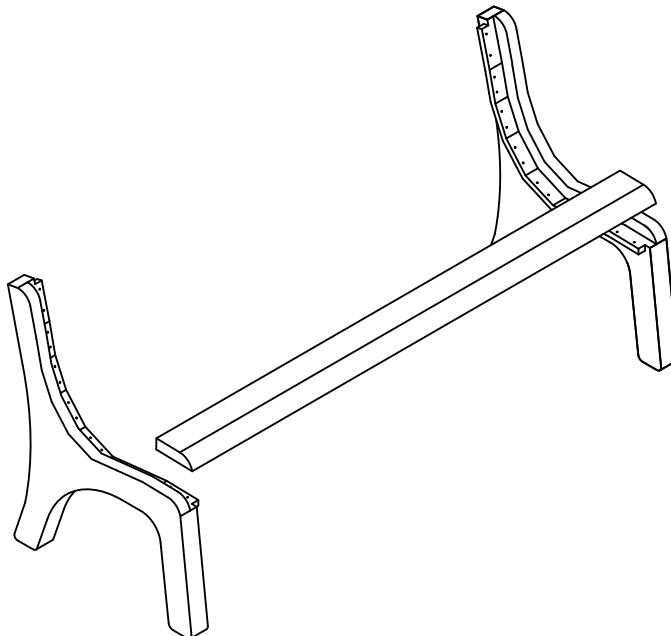


Illustration 'A'

Step by Step Assembly Continued

Step 2

Place the top round edge slat on the mounting surface with the pre-drilled holes. See Illustration 'B'. From the underneath side, attach the slat to each support at the pre-drilled holes using the phillips head screws. Do not over tighten or screws may protrude through the opposite side of the slat.

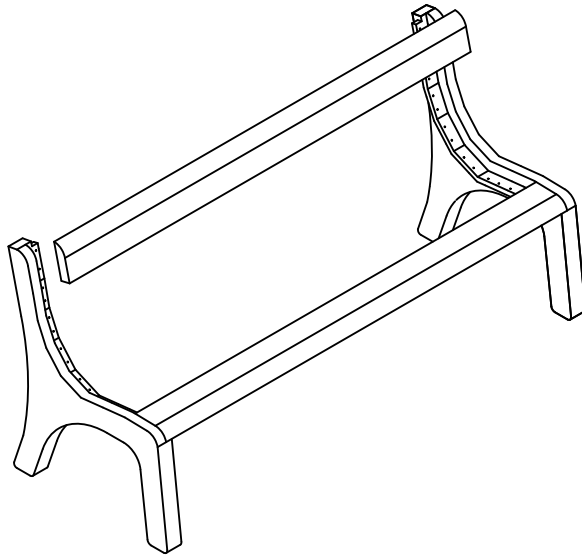


Illustration 'B'

Step 3

Place the middle supports evenly spaced at the center point of the top and front installed slats. From the underneath side, attach the slats to the middle supports at the pre-drilled holes using the phillips head screws. Do not over tighten or screws may protrude through the opposite side of the slats. See Illustration 'C'.

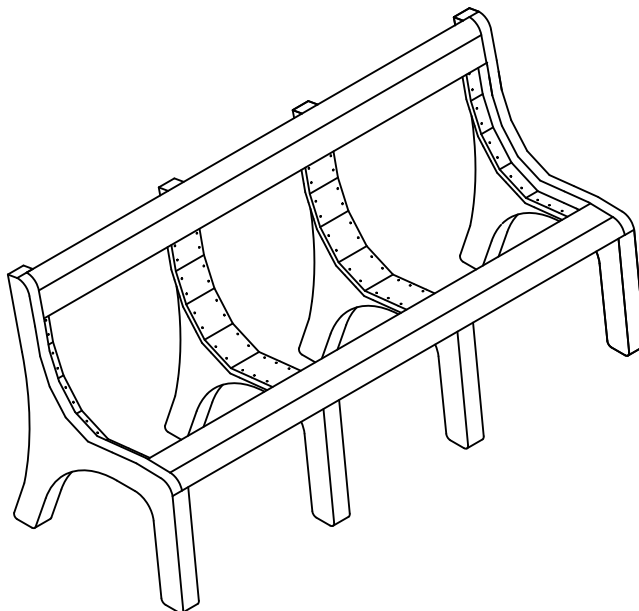


Illustration 'C'

Step by Step Assembly Continued

Step 4

Two 3/8" spacers have been included to assist in correctly spacing the seat slats. Beginning at the front, position a spacer on the backside face of the installed rounded slat at the RH and LH supports. Place a bench slat against each spacer resting on the mounting surface of all four supports. From the underneath side, attach the slat to each support at the pre-drilled holes using the phillips head screws. Do not over tighten or screws may protrude through the opposite side of the slat. See Illustration 'D'. Repeat the same process for remaining slats.

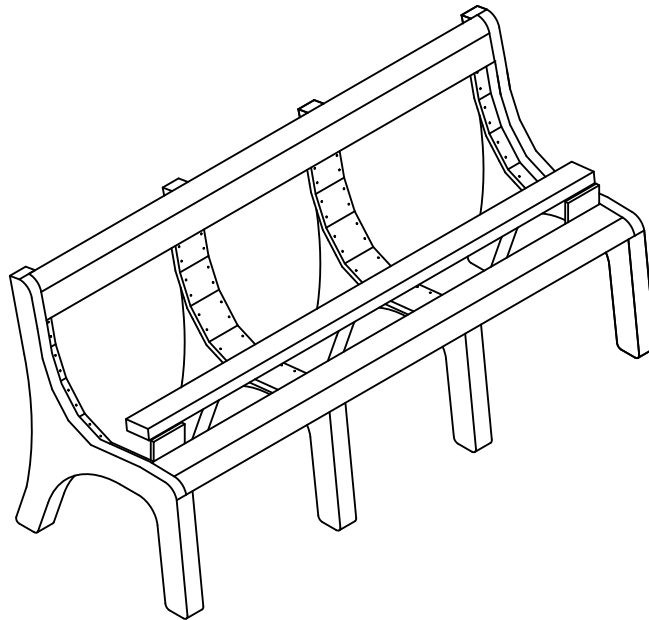


Illustration 'D'

Cleaning Tips

The Park Catalog products are durable and designed to last a lifetime, like most things that spend the majority of time outdoors, sometimes they need a little cleaning. In most cases, all the product requires is mild dish soap, a bucket of warm water and a clean cloth. Apply the soapy mixture to scrub away the dirt and then rinse with water. If you have some stubborn dirt down in the grooves and divots, mix 1 part bleach to 2 parts water, apply with your clean cloth, scrub with a soft bristle brush if needed and then rinse.