

LOW-RISE TIP & ROLL ALUMINUM 3 ROW x 15'-0" BLEACHER

The Park and Facilities Catalog
220 Congress Park Dr. #215 Delray Beach, FL 33445

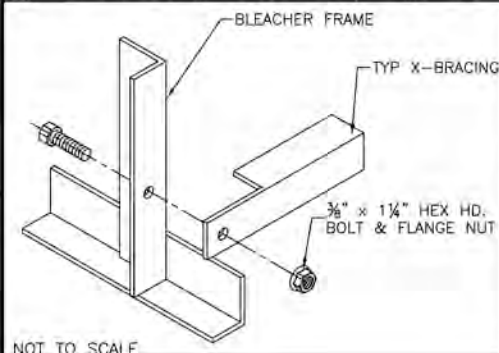
CS.1	- COVER SHEET
TD.1	- BLEACHER SEATING PLAN
BA.1	- BLEACHER ASSEMBLY
PF.1	- PLANK & FRAMING PLAN



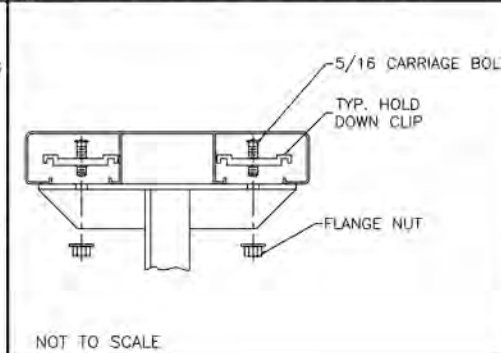
SECTION LENGTH	GROSS SEATS	ACTUAL SEATS	NO. OF ROWS	NET SEATS
15	10.00	10.00	3	30
NET SEATS				30
WHEELCHAIR SPACES				0
TOTAL NET SEATING CAPACITY				30
(BASED ON 18" PER SEAT)				

The Park and Facilities Catalog 220 Congress Park Dr. #215 Delray Beach, FL 33445		
SCALE: N.T.S.	APPROVED BY: IMP 8/29/16	DRAWN BY: JML
DATE: 1/22/15		
TITLE: 3 ROW x 15'-0" TIP & ROLL BLEACHER SEATING PLAN		
BLEACHER MODEL #:	DRAWING NUMBER: TD.1	

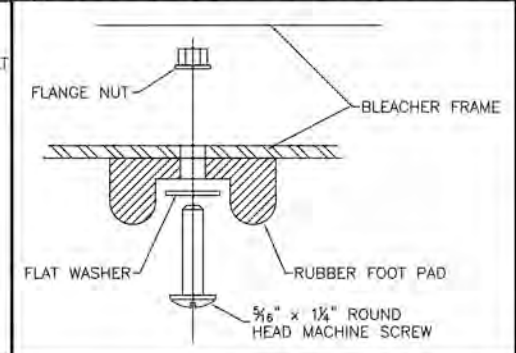
1 TYP X-BRACE CONN. W/ 1 1/4 BOLT



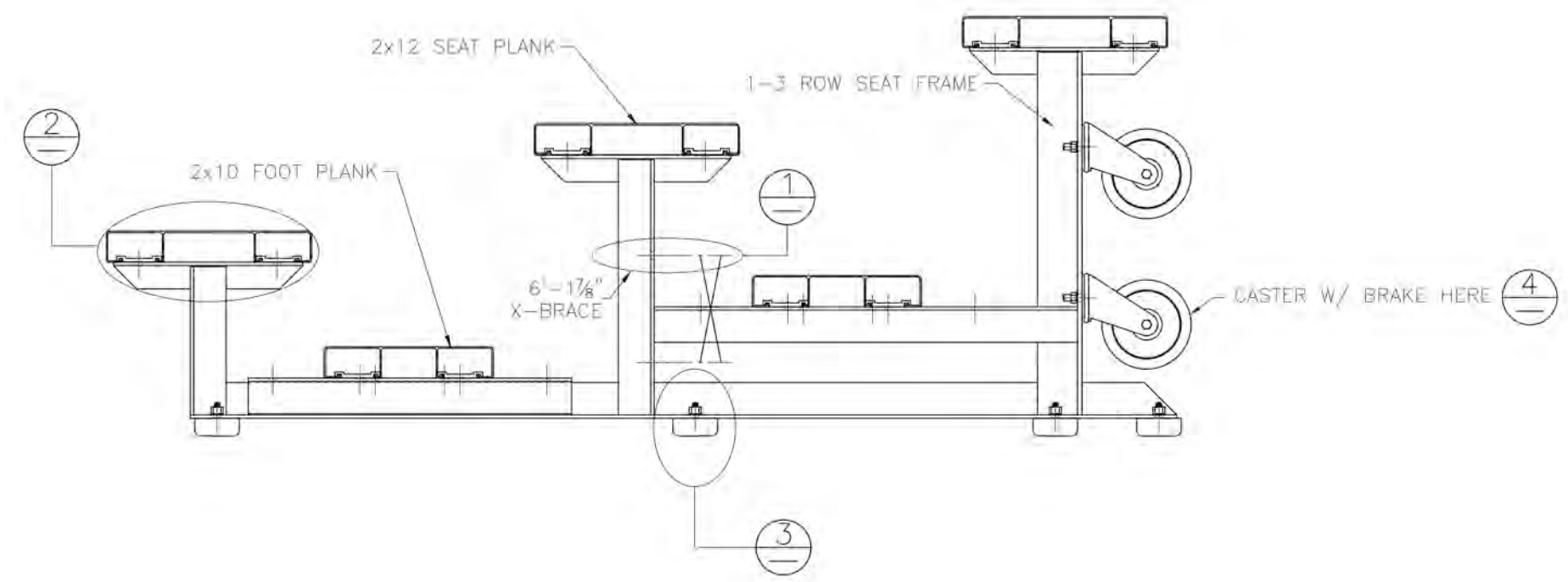
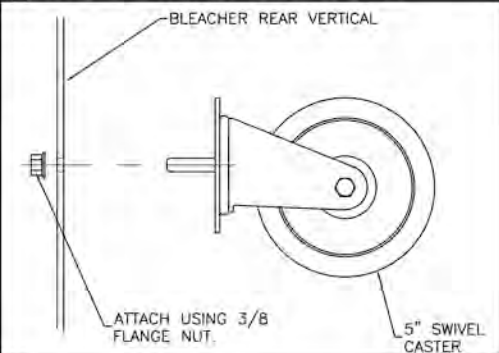
2 TYP 2x10 PLANK ATTACHMENT



3 RUBBER FOOT PAD ATTACH. DETAIL



4 CASTER ATTACHMENT DETAIL



WARNING

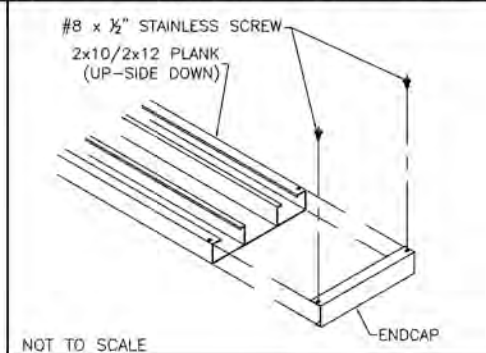
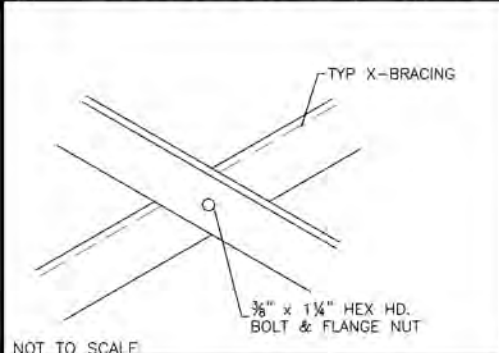
TIP N' ROLL BLEACHERS ARE SUITABLE FOR INDOOR OR OUTDOOR USE. HOWEVER, THEY SHOULD ONLY BE TIPPED UP ON THE CASTERS INDOORS, DUE TO POTENTIAL WIND HAZARDS IF TIPPED UP OUTDOORS. THESE LIGHT-WEIGHT UNITS ARE EASILY TIPPED UP BY ANY ABLE-BODIED ADULT.

NOTE: MOUNT CASTERS TO END FRAMES ONLY.

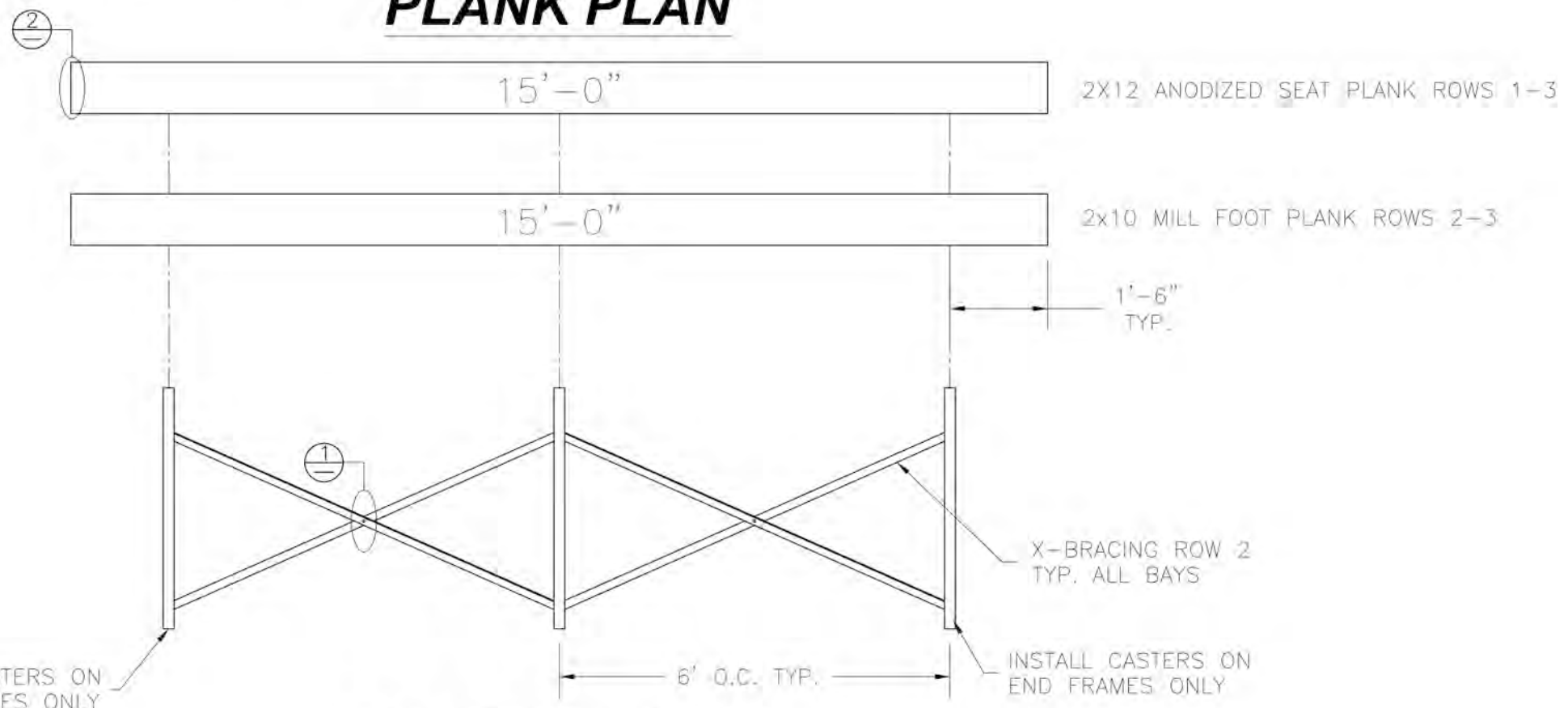
The Park and Facilities Catalog		
220 Congress Park Dr. #215 Delray Beach, FL 33445		
SCALE: N.T.S.	APPROVED BY: IMP 8/29/16	DRAWN BY: JML
DATE: 1/22/15		
TITLE: 3 ROW TIP & ROLL BLEACHER ASSEMBLY		
BLEACHER MODEL #:		DRAWING NUMBER: BA.1

⊖ TYP X-BRACE CONN. W/ 1 1/4" BOLT

⊖ TYP 2x10/2x12 ENDCAP ATTACH.



PLANK PLAN



FRAMING PLAN

INSTALL CASTERS ON END FRAMES ONLY

INSTALL CASTERS ON END FRAMES ONLY

The Park and Facilities Catalog
 220 Congress Park Dr. #215 Delray Beach, FL 33445

SCALE: N.T.S.	APPROVED BY: IMP 8/29/16	DRAWN BY: JML
DATE: 1/22/15		
TITLE: 3 ROW x 15'-0" TIP & ROLL PLANK & FRAMING PLAN		
BLEACHER MODEL #:	DRAWING NUMBER: PF.1	