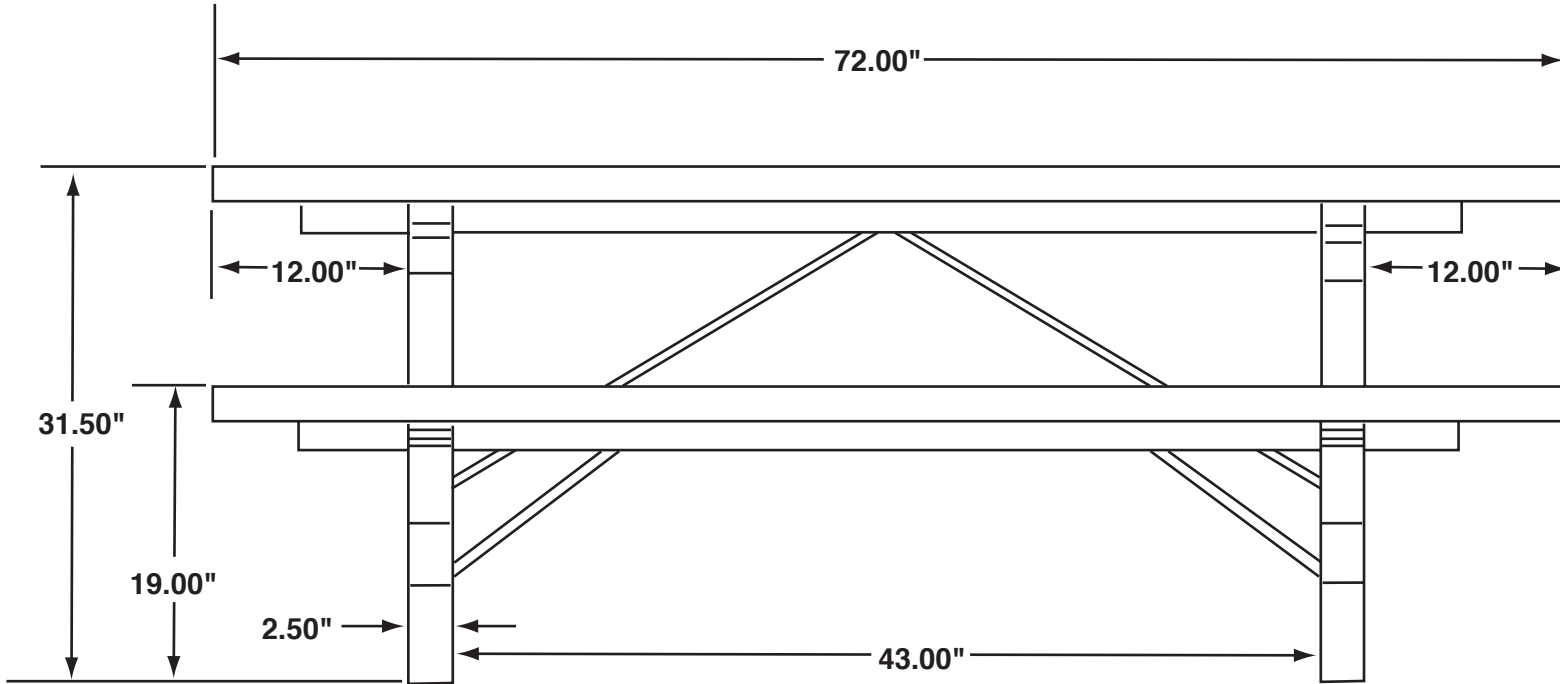


Specifications for item 133-1002



Side View

