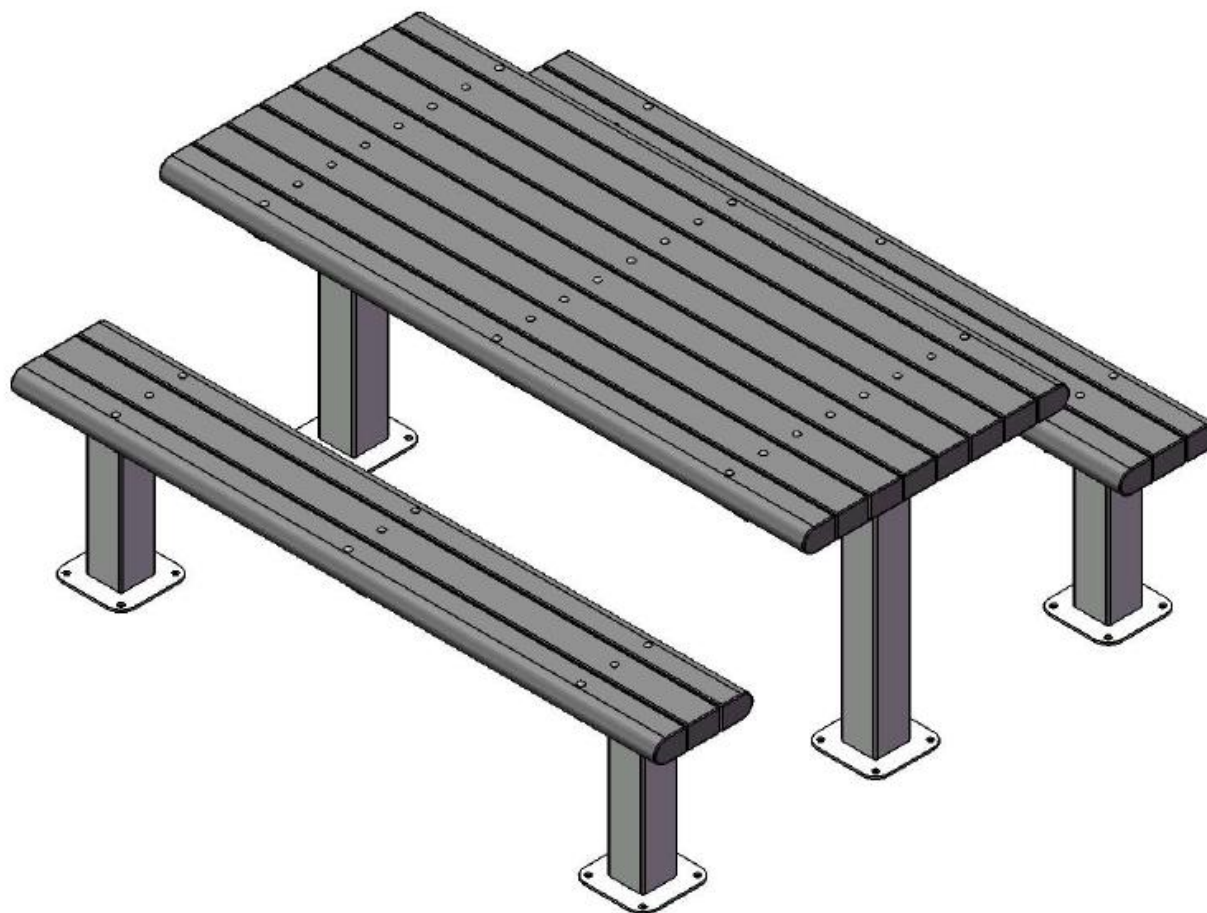


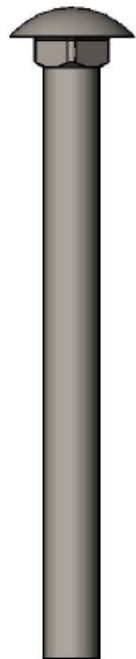
**6' Multi-Pedestal Recycled Plastic Picnic Table - Surface Mount  
398-9077**



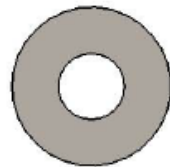
## Safety Warnings & Equipment Inspection

- Owners and installers please note these safety warnings and make use of this checklist on a regular basis.
- Follow installation instructions when erecting equipment.
- Ground surfaces around equipment should be restored as needed. Concrete footings should never be exposed. Surface depth should comply with ASTM and CPSC specifications.
- Check for and repair damage caused by wear or vandalism, a major factor in injury causing situations.
- All protruding bolts should be covered or cut off and finished smooth. Sharp edges on pipes should be capped or removed. Check for bent, broken, or severely worn pipe, and replace.
- All equipment should be free of rust and repainted whenever necessary to deter rusting.
- We provide our customers with layout sheets and installation instructions. Please keep on file the specifications sheet that contains the listing of every part used.
- Never add components not intended for use with this product.
- Regular maintenance is necessary in this and all park and recreational equipment to insure the safety of the user.
- Note: Proper maintenance of equipment requires regular tightening of all bolts, nuts, and setscrews.
- Note: Regular checking of all parts, castings, etc. should be made. If a part is broken or worn, it should be replaced immediately.
- Check to be sure all fittings are tight and that bars and pipes do not move.
- Replace all worn S-hooks. S-hooks must be completely closed. Failure to close S-hooks can result in serious injury to the user. NEVER reuse S-hooks.
- Test for free movement of swing hanger and other moving attached parts.
- Check for worn chains and replace them.
- A soft resilient surface should be placed under all swings extending at least twice the height of the top rail both front and back.

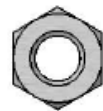
**Hardware**



5/16" x 3-1/2"  
Carriage Bolt

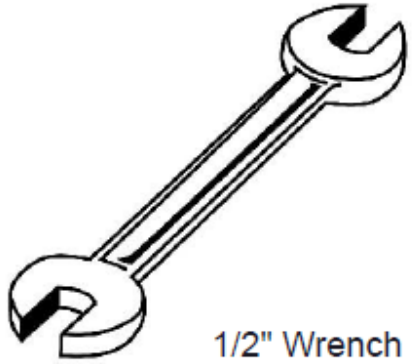


5/16" Washer

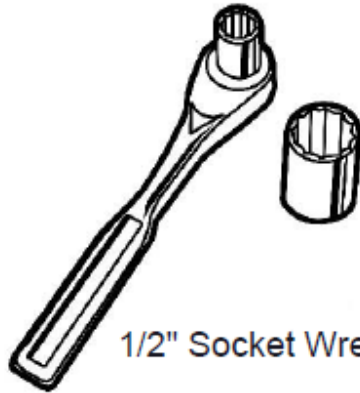


5/16" Hex Nut

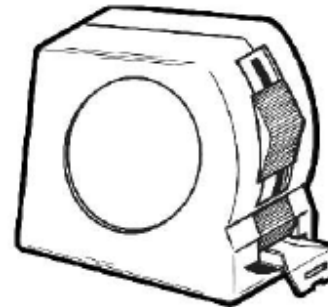
**Tools Required**



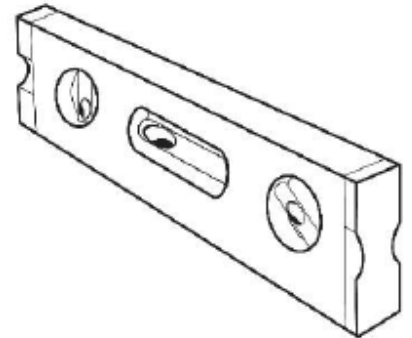
1/2" Wrench



1/2" Socket Wrench



Tape Measure



Level

## Product Specifications

**Top & Seats:** 3x4 planks are made from a minimum of 96% post-consumer or post-industrial recycled plastic. Contains UV stabilizers to prevent fading.

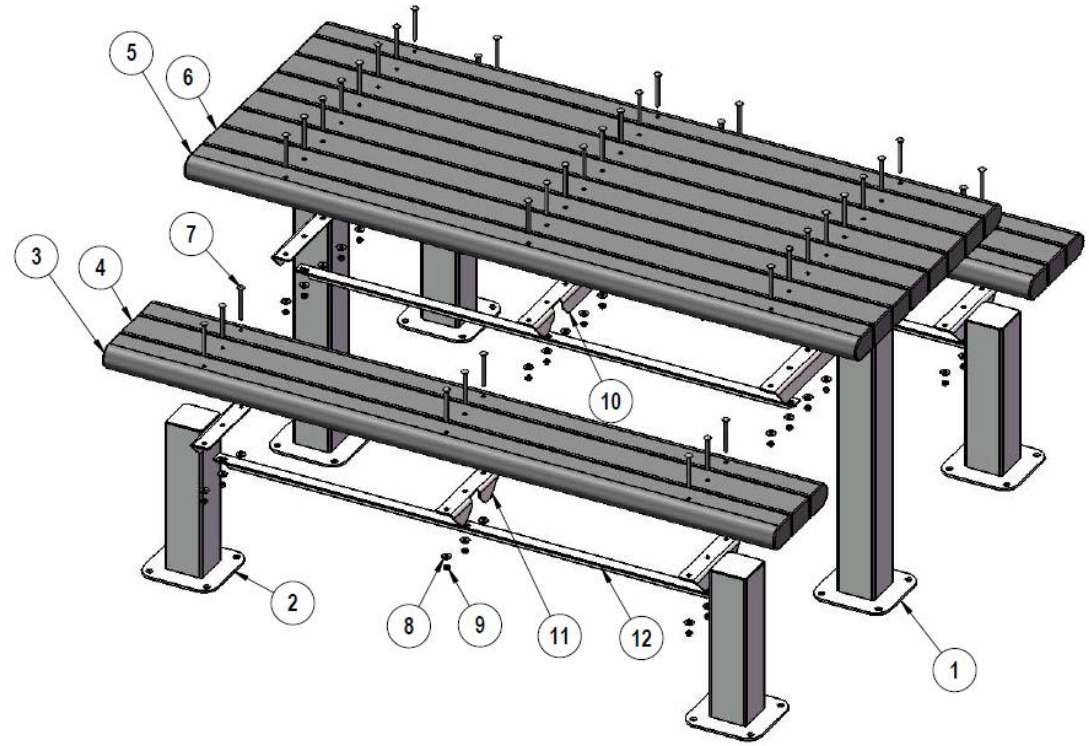
**Frame:** 4 x 4 x 11 gauge structural steel square tubing. Legs are capped with a 4 x 4 x 3/16" steel flat bar. Seat and top mounting points are 2" x 2" x 7 gauge steel angle. All tabletop and seat mounting brackets shall be precision punched. Surface mount plates are 8" x 8" x 1/4" thick. All electrically MIG welded.

**Frame Coating:** TGIC electrostatic powder coated application oven cured.

**Hardware:** All fasteners are zinc coated.

**Dimensions:** 6' surface mount picnic table walk-through design. Top is 29 3/4" wide x 72" long and is 31" high. Seats are 11" wide x 72" long and 19" high. Outside to outside dimension is 63" x 72".

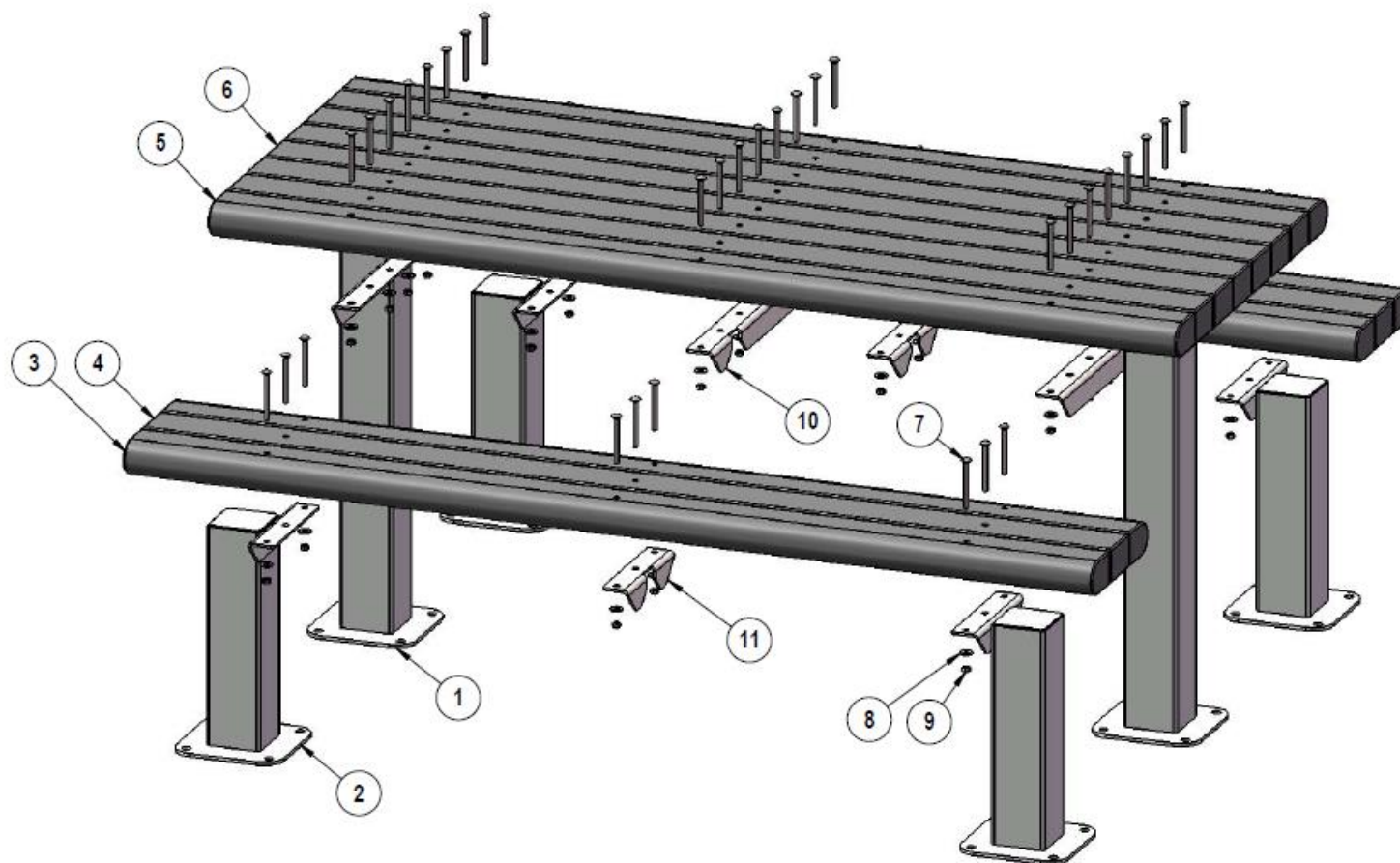
**Components**



| ITEM NO. | PartNo   | DESCRIPTION                               | QTY. |
|----------|--|---|------|
| 1        | P-W348SM-T   | 348SM Top Leg                             | 2    |
| 2        | P-W348SM-S   | 348 SM Seat Leg                           | 4    |
| 3        | BRN72-3x4B-S,<br>CDR72-3x4B-S,<br>GRN72-3x4B-S, or<br>GRY72-3x4B-S | 3 x 4 Recycled Seat Plank<br>Bullnose(6') | 4    |
| 4        | BRN72-3x4-S, CDR72-<br>3x4-S, GRN72-3x4-S,<br>or GRY72-3x4-S       | 3 x 4 Recycled Seat Plank (6')            | 2    |
| 5        | BRN72-3x4B-T,<br>CDR72-3x4B-T,<br>GRN72-3x4B-T, or<br>GRY72-3x4B-T | 3 x 4 Recycled Top Plank Bullnose(6')     | 2    |
| 6        | BRN72-3x4-T, CDR72-<br>3x4-T, GRN72-3x4-T,<br>or GRY72-3x4-T       | 3 x 4 Recycled Top Plank (6')             | 6    |
| 7        | 33-06-0023   | 5/16" x 3-1/2" Carriage Bolt (Zinc)       | 42   |
| 8        | 33-02-0001   | 5/16" Zinc Plated Washer                  | 42   |
| 9        | 33-01-0001   | 5/16" Hex Nut (Zinc)                      | 42   |
| 10       | 01-04-0405   | 348 8 Board Table Angle w/ Cutout         | 1    |
| 11       | 01-04-0406   | 348 3 Board Seat Angle w/ Cutout          | 2    |
| 12       | 01-04-0407   | 348 6' Support Angle                      | 4    |



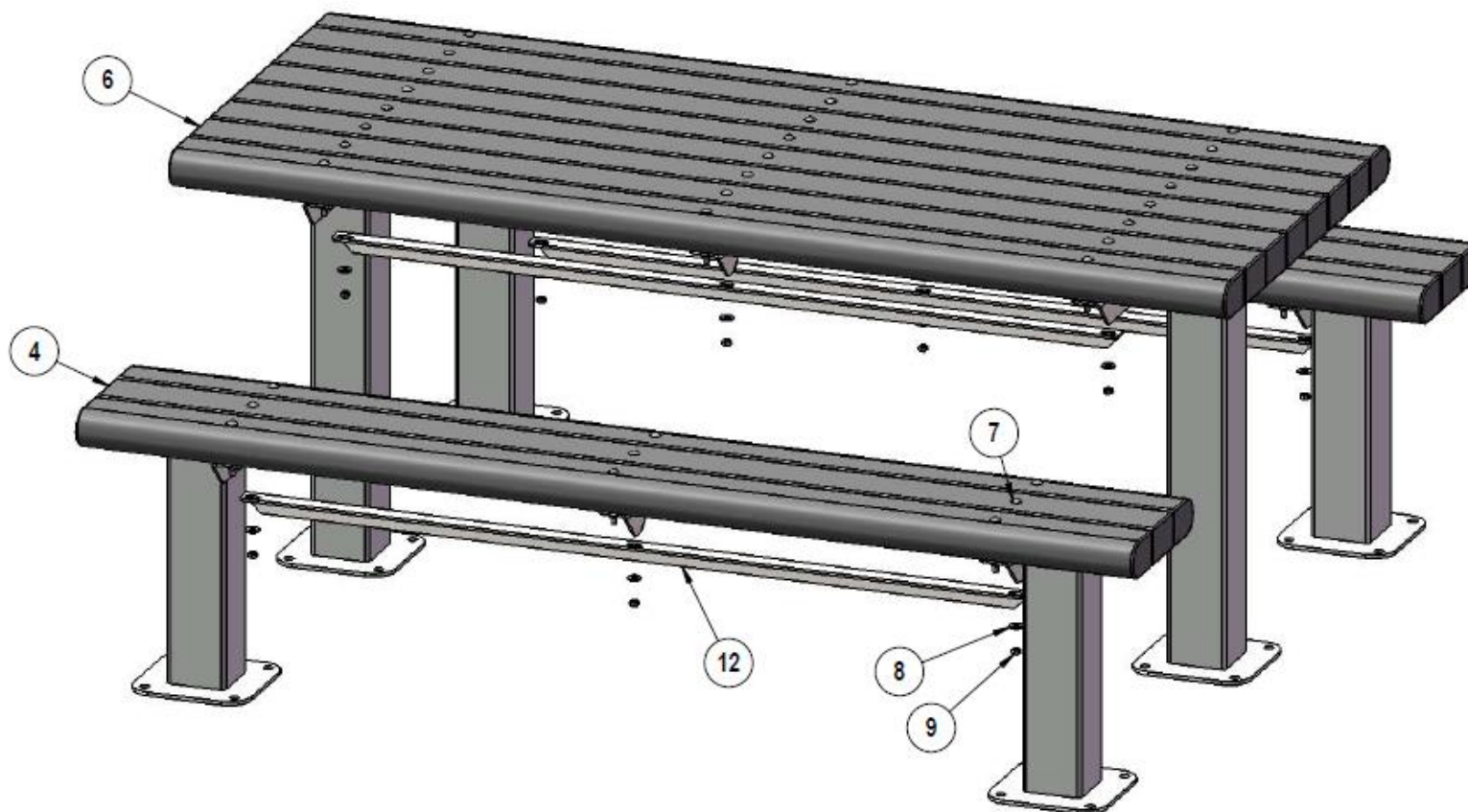
Installation Instructions - Step 1



Attach the 348SM Legs, the 348 8 Board Table Angle with cutout, and the 348 3 Board Seat Angles with cutout to the Recycled Planks using the specified hardware.

**NOTE:** At this step, Do Not Install the 5/16" Flat Washers and the 5/16" Hex Nuts on the 5/16" Carriage Bolts holding the Second Planks in from each side of the table and the Middle Seat Planks.

Installation Instructions - Step 2



Attach the 348-6' Support Angles to the Recycled Planks using the specified hardware.



**Overall Dimensions**

