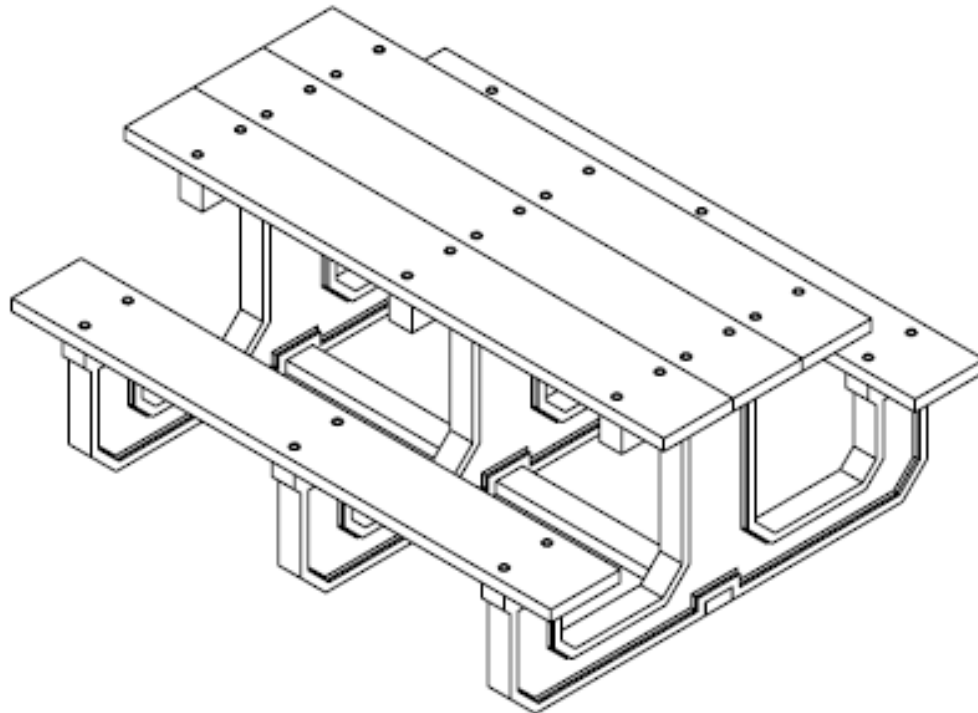
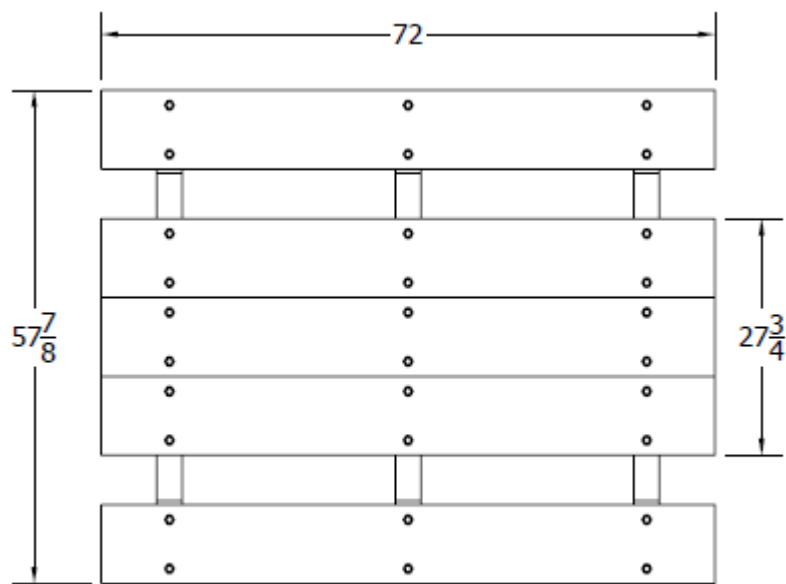


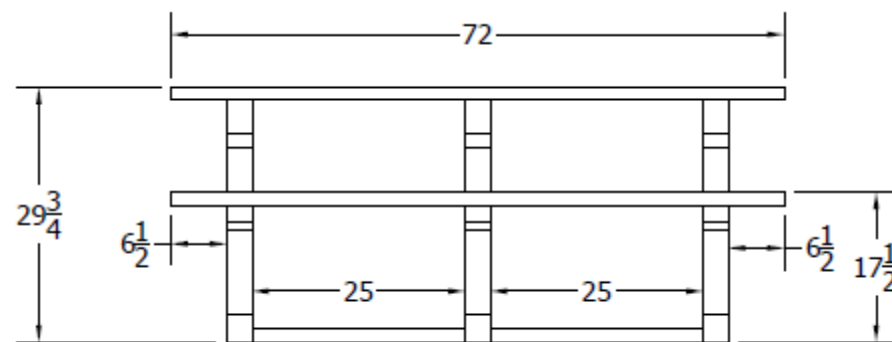
**Walk-Through Recycled Plastic Picnic Table - 6 Ft.  
289-4004**



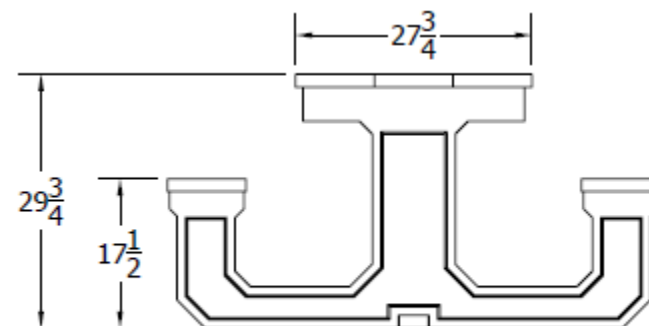
**Dimensions**



TOP VIEW



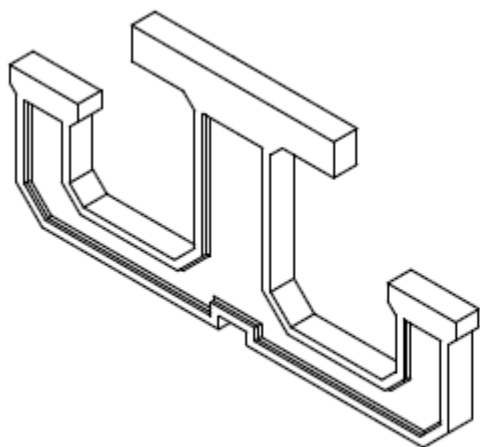
FRONT VIEW



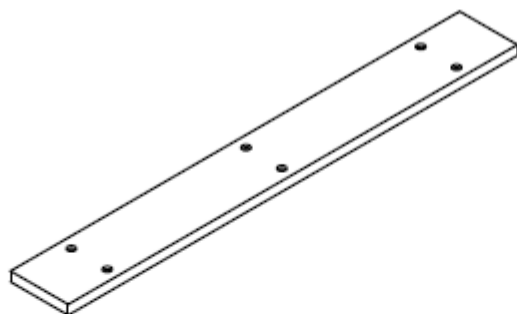
SIDE VIEW

**Components**

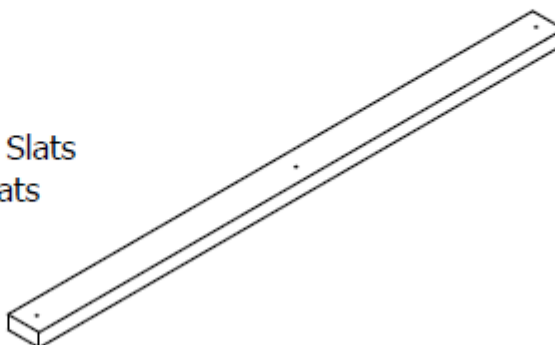
Tools for Assembly: Powered driver or drill  
Socket Wrench  
7/16 & 3/4 Socket  
Tape Measure



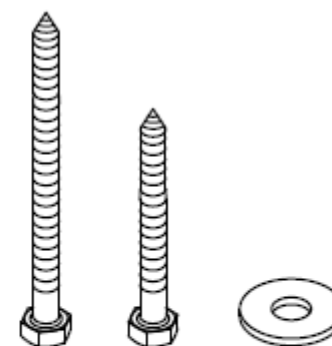
(3) Table Bases



(3) Table Top Slats  
(2) Seat Slats



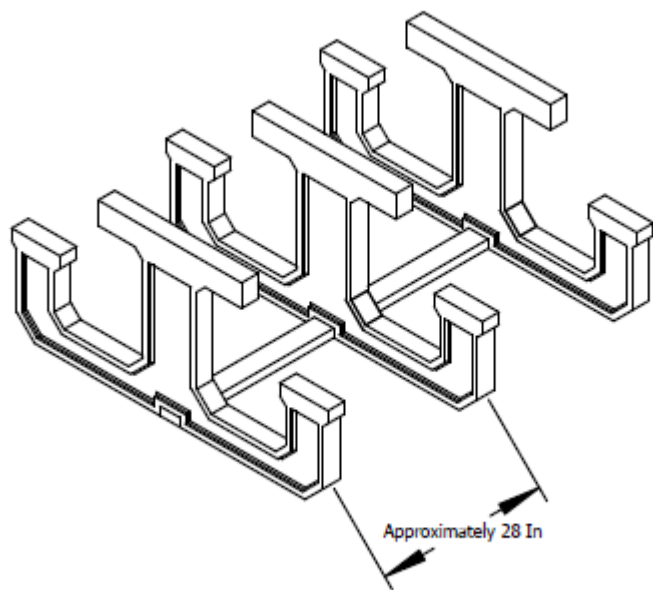
(1) Base Support Slat



Hardware  
(30) 4" Hex Lag Screws  
(3) 3 1/2" Hex Lag Screws  
(3) Flat Washers

**Assembly Instructions**

Before you begin: Check components to verify all are included. Assembly requires two people and must be performed on a flat and even surface. Do not overtighten hardware as damage can occur.

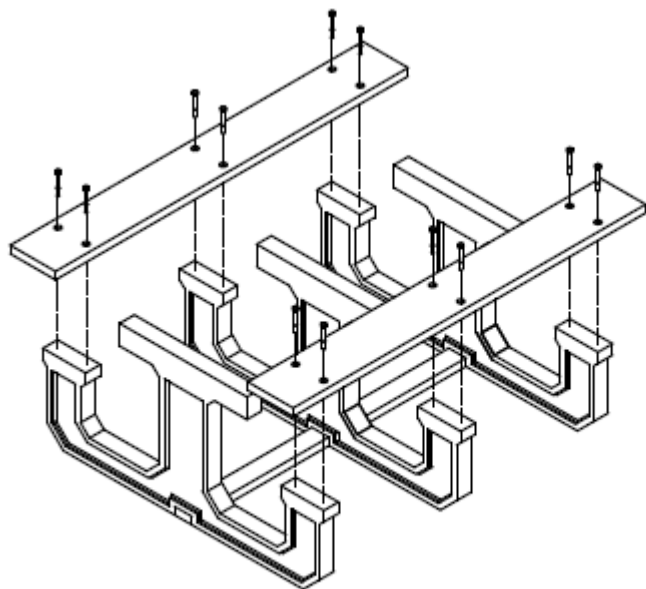


**Illustration 'A'**

**Step 1**

Using the base support slat as a guide, position the three (3) bases spaced evenly on a flat surface. The center base will be approximately at 28" on center from the two (2) outer bases. Do Not Attach Base Support Slat At This Step. Ensure all three (3) bases are square and plumb. See Illustration 'A'.

**Assembly Instructions Cont.**

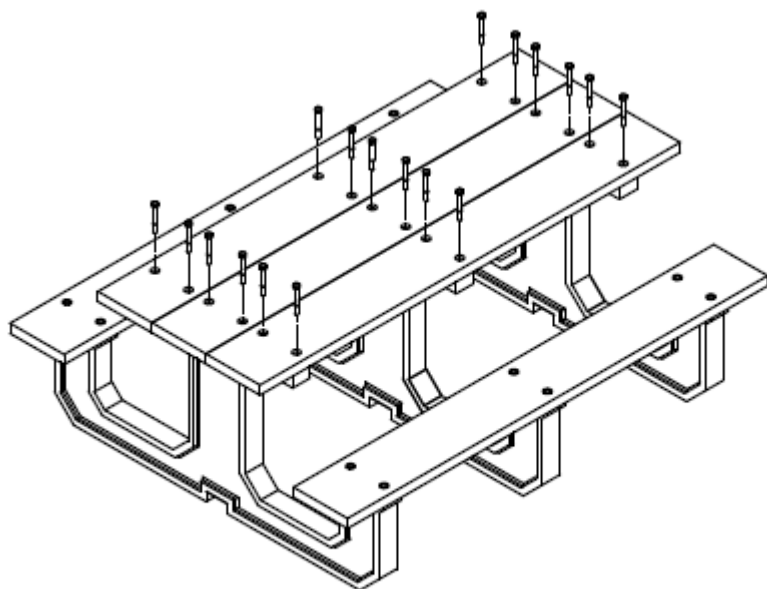


**Illustration 'B'**

**Step 2**

Ensure the bases remain square and plumb, place one seat slat across the bases on each side, the pre-drilled holes should align with the approximate center of the base attachment surface. Drill a 3/8" starter hole in the base at each end using the pre-drilled holes in the seat slats as a guide. Loosely attach with the 4" hex head lag screws. Drill 3/8" starter holes in the seat slats and attach with 4" hex head lag screws. See illustration 'B'.

**Assembly Instructions Cont.**

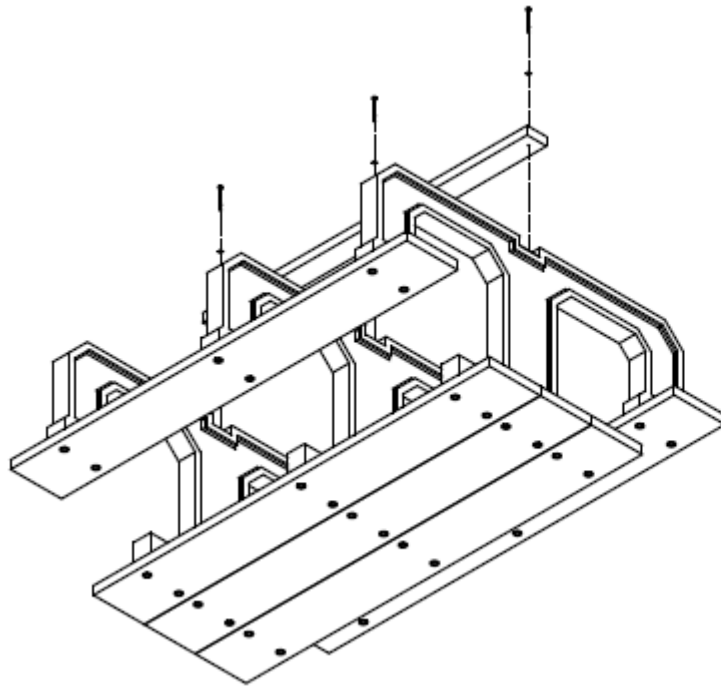


**Illustration 'C'**

**Step 3**

Place the table slats on top of the bases aligning the pre-drilled holes with the attachment surface of each base. Ensure they are square and centered. Drill a 3/8" starter hole on each table slat at the pre-drilled hole location. Attach using the 4" hex lag screws. See Illustration 'C'.

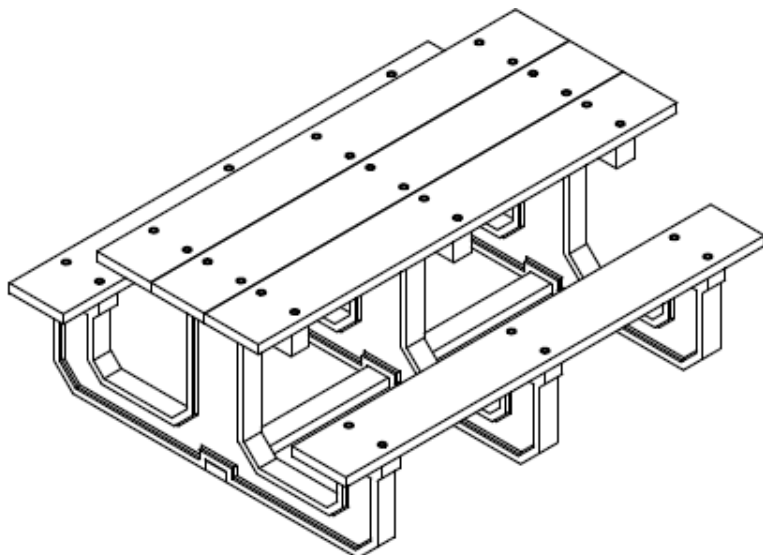
**Assembly Instructions Cont.**



**Step 4**

Using two people, flip the table over and carefully place it upside down resting on the top slats. Attach base support board with 3 1/2" hex lag screws and flat washers. Rotate assembled table back upright. See Illustration 'D'.

**Assembly Instructions Cont.**



**Illustration 'D'**

**Cleaning Tips**

The Park Catalog products are durable and designed to last a lifetime, like most things that spend the majority of time outdoors, sometimes they need a little cleaning. In most cases, all a Park Catalog product requires is mild dish soap, a bucket of warm water and a clean cloth. Apply the soapy mixture to scrub away the dirt and then rinse with water. If you have some stubborn dirt down in the grooves and divots, mix 1 part bleach to 2 parts water, apply with your clean cloth, scrub with a soft bristle brush if needed and then rinse.