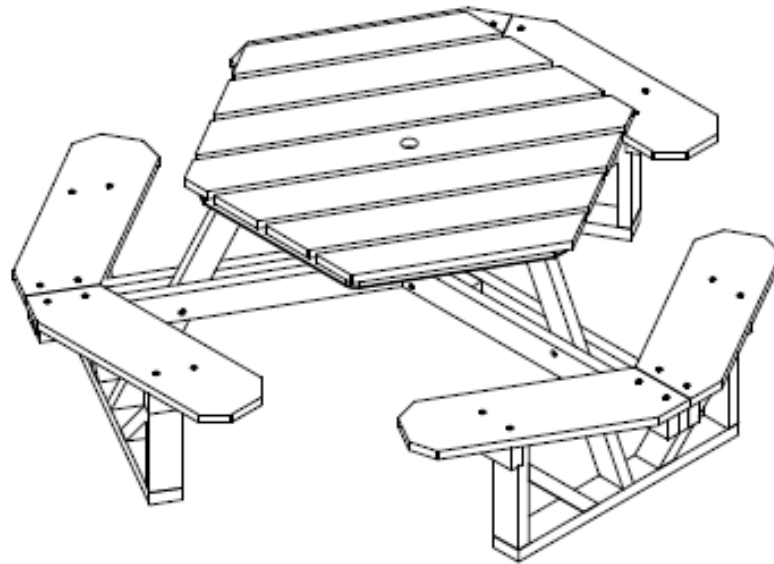
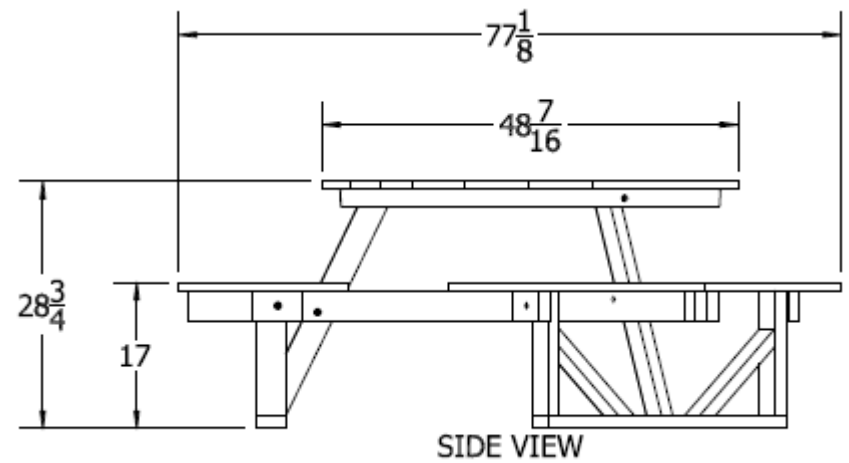
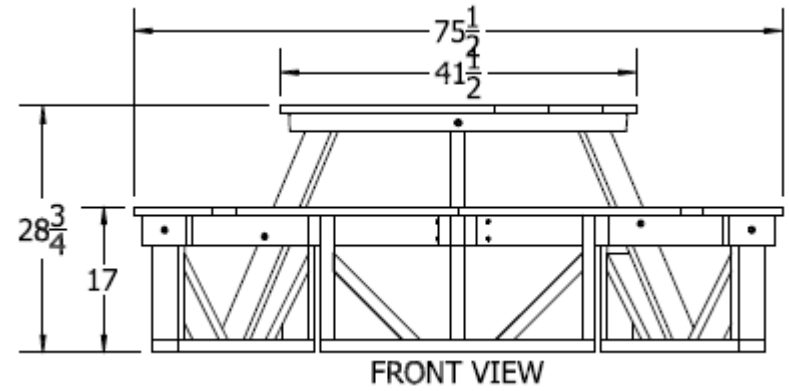
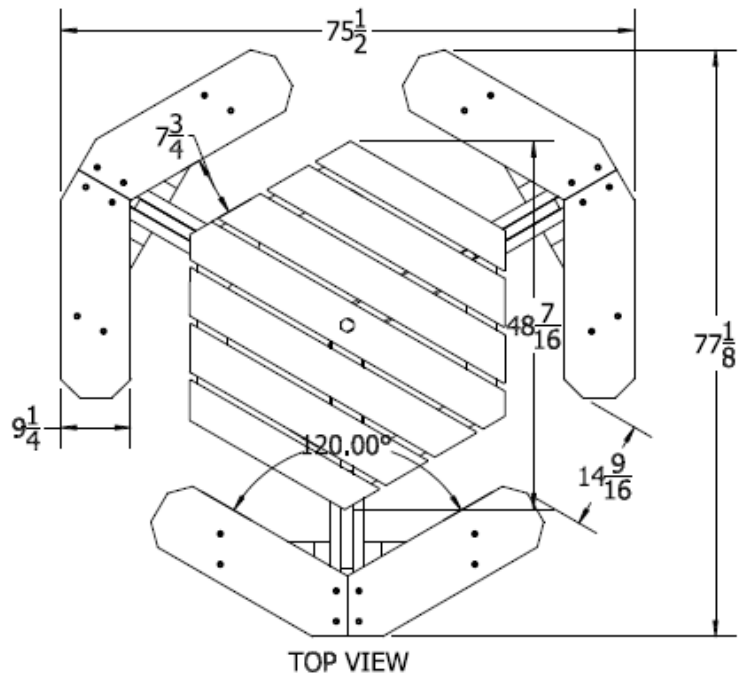


**6' Hexagonal Recycled Plastic Picnic Table
289-4005**

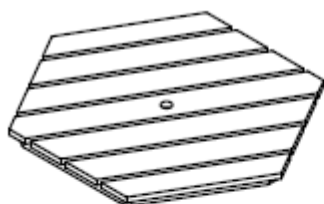


Dimensions

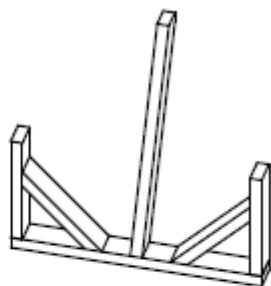


Components

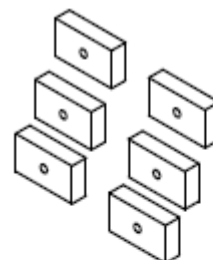
Tools for Assembly: Powered driver
7/16 Socket
Phillips Head Bit
Tape Measure and Level



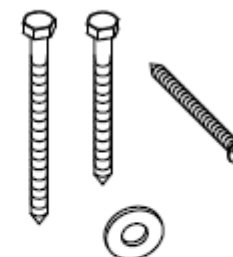
(1) Pre-Assembled Top



(3) Base Supports



(6) Anchor Blocks (Black)

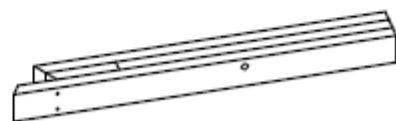


Hardware

- (6) 2 1/2" Hex Lag Screws
- (30) 3 1/2" Hex Lag Screws
- (36) Flat Washers
- (9) 3" Deck Screws



(3) Left Seats (3) Right Seats



(3) Support Arms

Assembly Instructions

Before you begin: Check components to verify all are included. Assembly requires two people and must be performed on a flat and even surface. Do not overtighten hardware as damage can occur.

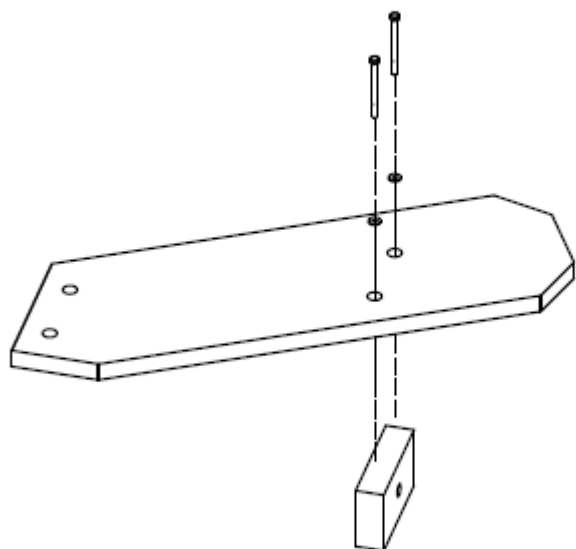


Illustration 'A'

Step 1

Attach anchor blocks to the bottom of each seat using 3 1/2" hex lag screws and flat washers. The pre-drilled hole in the block will face the seat side with three edges, each seat will have one (1) anchor block. See Illustration 'A'.

Assembly Instructions Cont.

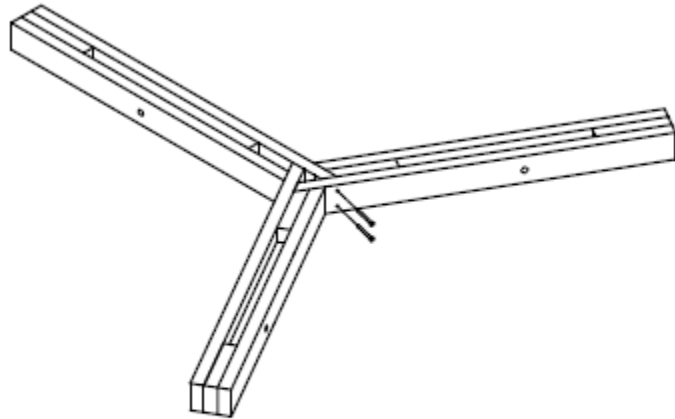


Illustration 'B'

Step 2

Place the three (3) support arms on a flat surface as shown in Illustration 'B'. Fasten the support arms together with 3" deck screws, two (2) per side, do not overtighten.

Assembly Instructions Cont.

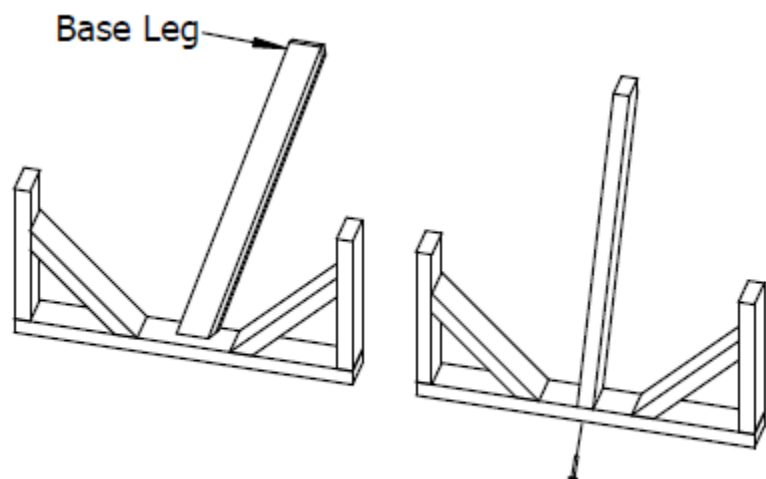


Illustration 'C'

Step 3

The three (3) base support legs are rotated for shipping purposes. A single deck screw is pre-installed, rotate the leg 90 degrees and align the pre-drilled holes. Secure the leg with a supplied deck screw. See Illustration 'C'. Repeat for all three (3) legs.

Assembly Instructions Cont.

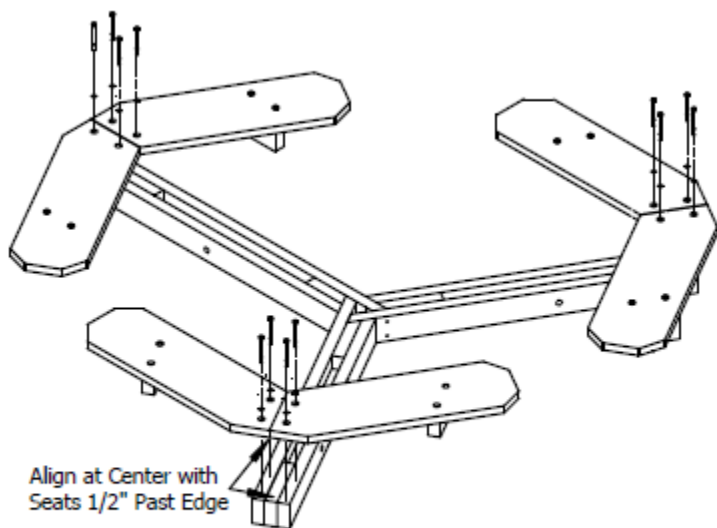


Illustration 'D'

Step 4

With the assembled support arms on a flat surface, position a LH and RH seat with the flat edges aligned at the center point of the middle board of the arm assembly. The back edge of the seats should extend approximately 1/2" from the back edge of the arm support. See Illustration 'D'. Drill a small starter hole in the support arms at each pre-drilled hole of the seats. Attach using 3 1/2" hex lag screws and flat washers. Repeat for remaining seats.

Assembly Instructions Cont.

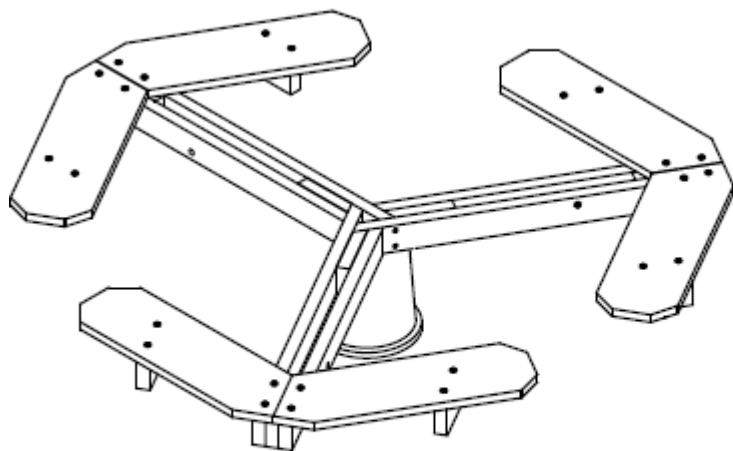


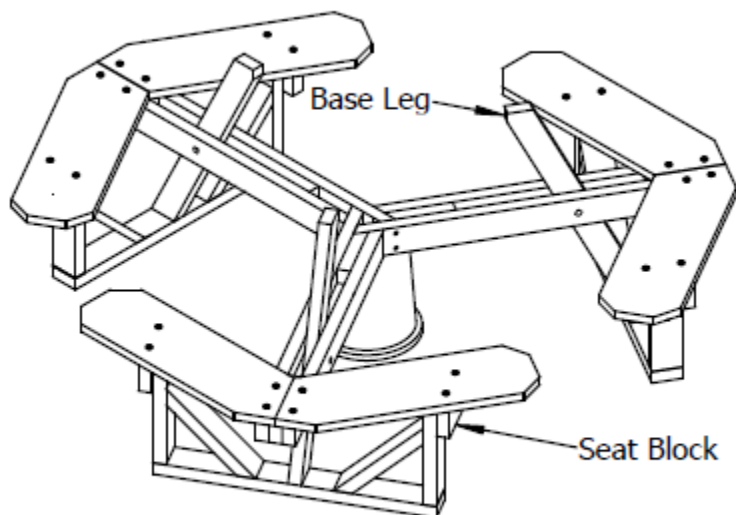
Illustration 'E'

Step 5

Using two people, raise the arms and seats up to rest on an object strong enough to support the assembly at the mid point approximately 12" above the mounting surface. A five gallon bucket can be used in this step. See Illustration 'E'.

Assembly Instructions Cont.

IMPORTANT NOTE FOR THE NEXT STEPS: DO NOT OVERTIGHTEN LAG BOLTS. DO NOT LEAN ON TABLE TOP OR SEATS WHEN ASSEMBLING.



Step 6

Insert a base leg inside an arm support with the pre-drilled hole in arm aligned on the base leg. The seat blocks previously attached in step 1 should rest against the outer side of the base seat supports. See Illustration 'F'.

Illustration 'F'

Assembly Instructions Cont.

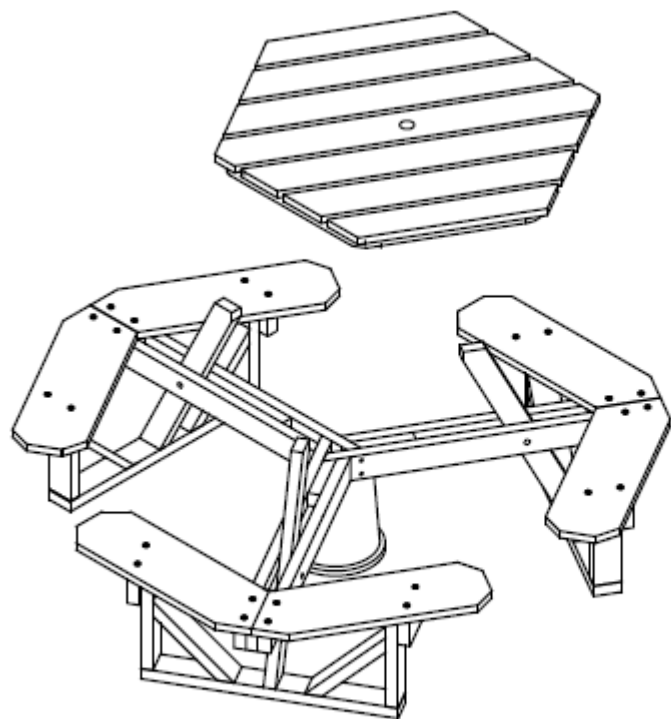


Illustration 'G'

Step 7

With two people, carefully lift the table top and position the slots in the top underside frame with the three (3) base legs, slide the top down on the legs. Ensure each base leg is fully engaged in the slot and the top is resting even and level. See Illustration 'G'.

Assembly Instructions Cont.

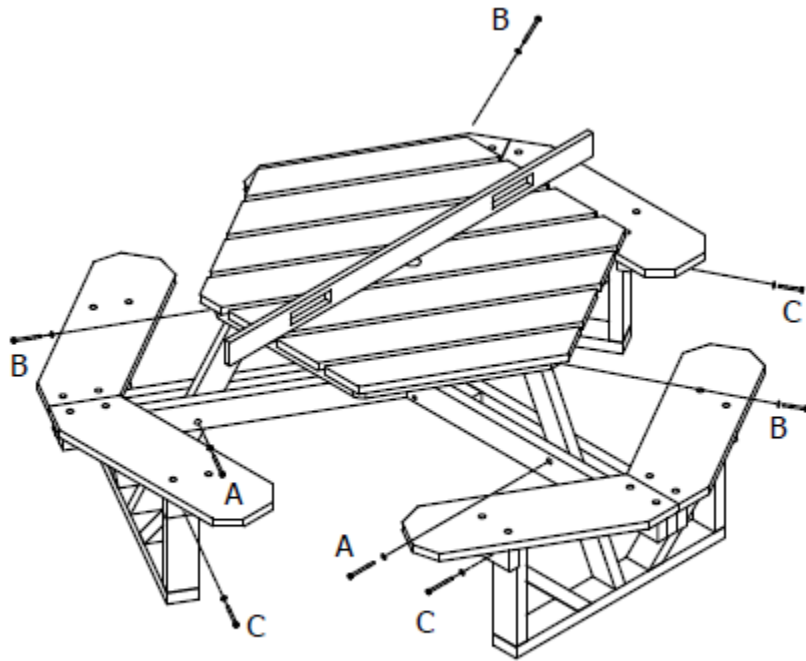


Illustration 'H'

Step 8

Remove the item used to support the arm assembly to allow for proper positioning. Ensure the bases are resting flat on the mounting surface, position the horizontal arm with the pre-drilled hole in line with the base leg. The distance between the bottom side of each support arm and the mounting surface should be the same. Attach each arm to a base leg using a 3 1/2" hex lag screw and flat washer (A).

Verify the top is level, attach top to the vertical supports with 3 1/2" hex lag screws and flat washers (B).

Attach the seat blocks to each base seat support using 2 1/2" hex lag screws and flat washers (C). See Illustration 'H'.

Cleaning Tips

The Park Catalog products are durable and designed to last a lifetime, like most things that spend the majority of time outdoors, sometimes they need a little cleaning. In most cases, all a Park Catalog product requires is mild dish soap, a bucket of warm water and a clean cloth. Apply the soapy mixture to scrub away the dirt and then rinse with water. If you have some stubborn dirt down in the grooves and divots, mix 1 part bleach to 2 parts water, apply with your clean cloth, scrub with a soft bristle brush if needed and then rinse.